

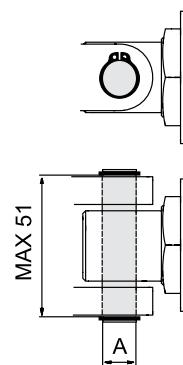
Accessories and Spare Parts

Mounting Components

Mounting Pin Kits

Designation	Compatible Actuators	A [mm]	Part Number
Mounting pins (pair)	Electrak 10, Electrak 5	12,7	D603 028
Mounting pins (pair)	Electrak FA14	12	D603 029

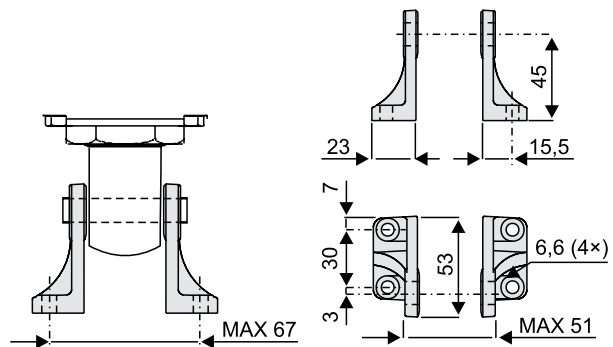
The mounting pins are used in the rear and front adapter holes of the actuator. The pins have a groove in each end so that it can be secured with snap rings.



Mounting Pin Bracket Kits

Designation	Compatible Actuators	Part Number
Mounting pin brackets (pair)	Electrak FA14	D603 028

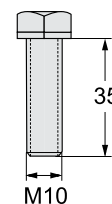
The mounting pin brackets are used to attach the front and rear adapter via a pair of mounting pins to the objects to which it is mounted.



T-slot Bolt

Designation	Compatible Actuators	Part Number
M10 T-slot bolt	DMD, DMA	D800041

The T-slot bolt fits in to the T-slot running along the outer profile of DMD and DMA lifting columns. The T-slot bolts can be used to mount the unit instead of using the upper mounting plate, or/and for attaching other components to the profile.



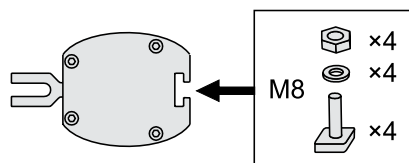
Accessories and Spare Parts

Mounting Components

T-slot Mounting Kit

Designation	Compatible Actuators	Part Number
M8 T-slot mounting kit	LM80-H, LM80-V	D680507

The T-slot mounting kit consists of four T-slot bolts, washers and nuts that fit in to the T-slot running along the profile of LM80 rodless actuators. The T-slot mounting kit can be used to mount the unit or/and for attaching other components to the profile.

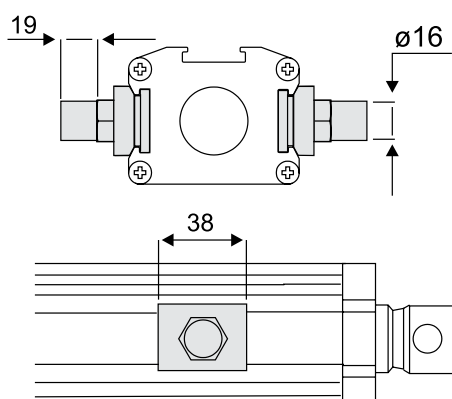


FA14 Trunnion Mounting Kits

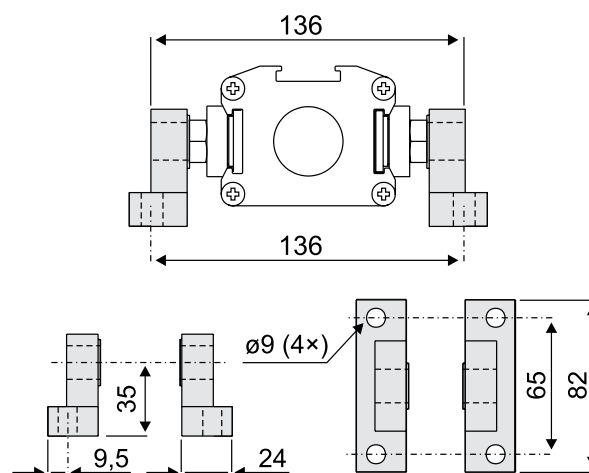
Designation	Compatible Actuators	Part Number
Electrak FA14 trunnions (pair)	Electrak FA14	D603 022
Electrak FA14 trunnion brackets (pair)	Electrak FA14	D603 030

The trunnions can be mounted to the T-slot running along the right and left side of the cover tube on an Electrak FA14.

Electrak FA14 Trunnions



Electrak FA14 Trunnion Brackets



Accessories and Spare Parts

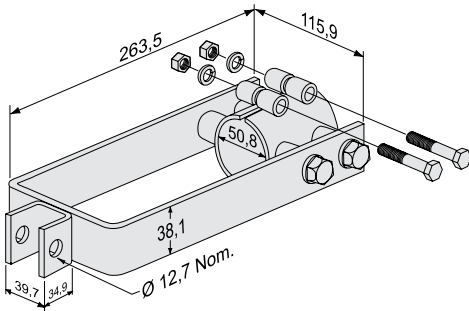
Mounting Components

PPA Rear Clevis Mounting Kits

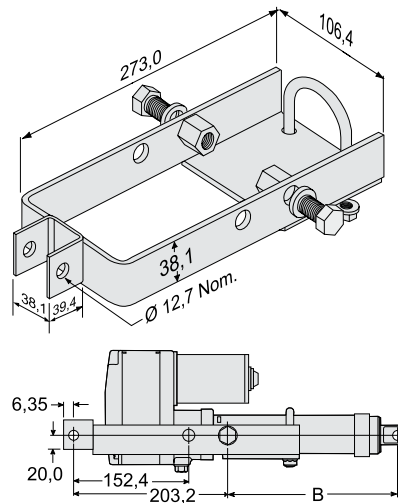
Designation	Compatible Actuators	Part Number
PPA rear clevis mounting kit for DC actuators	Electrak PPA-DC	7827320
PPA rear clevis mounting kit	Electrak PPA-DC, Electrak PPA-AC	7824295

The rear clevis mounting kits are attached to the tube of an Electrak PPA actuator allowing the actuator to be mounted clevis to clevis style. Note that one of the kits fits both PPA-DC and PPA-AC actuators while the other only fits PPA-DC actuators.

PPA Rear Clevis Mounting Kit



PPA Rear Clevis Mounting Kit for DC Actuators



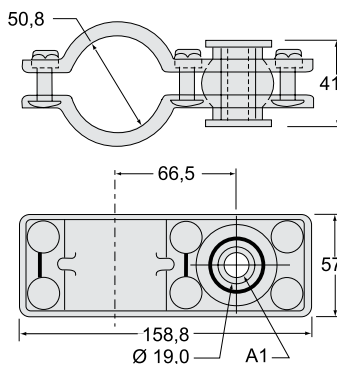
B: retracted length to trunnion, also see product pages.

PPA Tube Mounting Kits

Designation	Compatible Actuators	Part Number
Electrak PPA tube mount - light duty 3330 N	Electrak PPA-DC, Electrak PPA-AC	7822520
Electrak PPA tube mount - heavy duty 6670 N	Electrak PPA-DC, Electrak PPA-AC	7821783

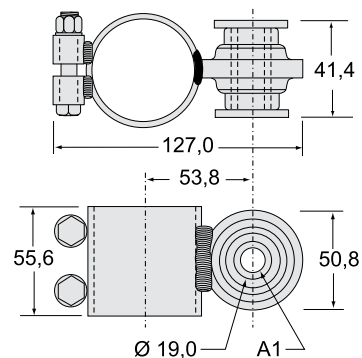
The tube mounting kits work as a clamp that is mounted at any desired position along the actuator tube. Trunnion pins for the tube mount clamp are supplied and mounted by the customer.

Electrak PPA Tube Mount - Light Duty 3330 N



A1: hole diameter 12,7 with bushing.

Electrak PPA Tube Mount - Heavy Duty 6670 N



A1: hole diameter 12,7 with bushing.

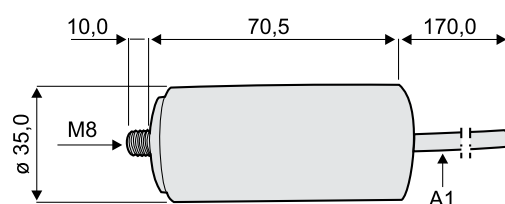
Accessories and Spare Parts

Electrical Components

Capacitor Kits

Designation	Compatible Actuators	Actuator Supply Voltage	Part Number
Capacitor kit 35 µF	Electrak 5, DMA	115 Vac	9200-448-002
Capacitor kit 10 µF	Electrak 5, DMA	230 Vac	9200-448-003

All AC actuators, except Electrak PPA-AC and E5 with 400 Vac motor, require a capacitor to be wired between the motor windings to run. Also see the Electrical Wiring Diagrams section.



A1: cable 2 × 0,75 mm²

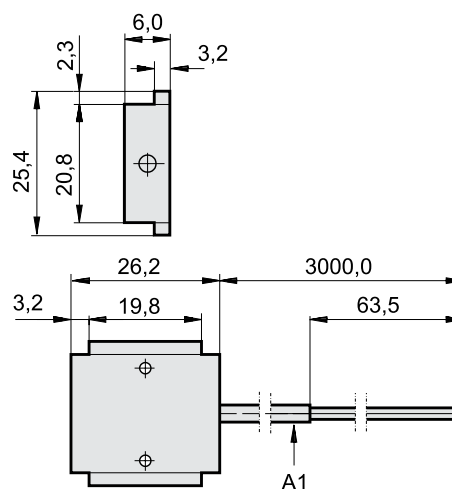
Magnetic Sensor

Designation	Compatible Actuators	Contact Type	Part Number
Magnetic sensor	Electrak FA14	normally open	D535 070
Magnetic sensor	Electrak FA14	normally closed	D535 071

Specifications

Parameter		
Maximum power	[W]	10
Maximum voltage	[Vdc]	43
Maximum current	[A]	0,5
Maximum contact resistance	[ohm]	0,2
Lead cross section	[mm ²]	2 × 0,12
Cable length	[mm]	3000
Protection class		IP67

The magnetic sensor fits in to the T-slot running along three sides of the cover tube on an Electrak FA14. The sensors can be used with AC-063 controls that have limit switch inputs. The cable is molded into the switch.



A1: cable 2 × 0,12 mm²

Accessories and Spare Parts

Electrical Components

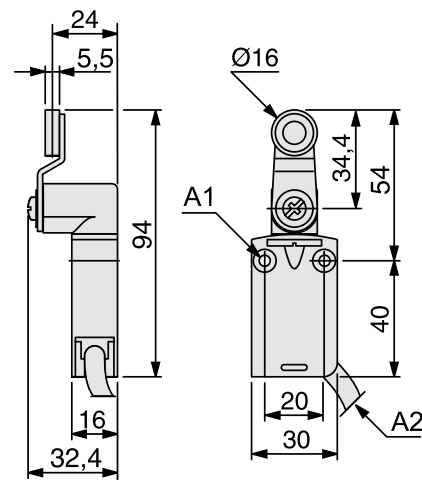
Limit Switches

Designation	Cable Length	Part Number
Limit switch	1 m	671 545 0281
Limit switch	5 m	671 545 0290
Limit switch	10 m	671 545 0299

Specifications

Parameter		
Maximum voltage	[V]	240
Maximum current	[A]	1,5
Lead cross section	[mm ²]	5 × 0,75
Contact type		1 NO + 1 NC
Protection class		IP67

The limit switches can be used with AC-063 controls that have limit switch inputs. The cable is molded into the switch.

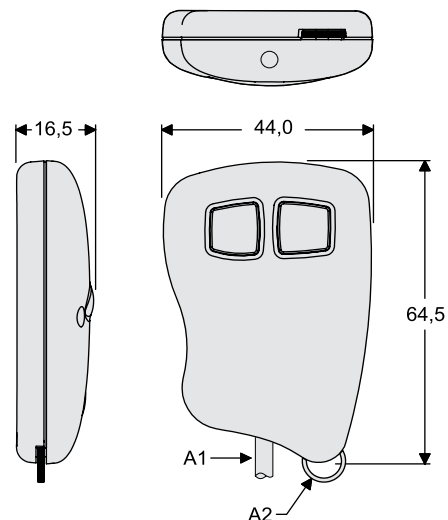


A1: 2 × mounting holes $\varnothing 4,2$, counterbored $\varnothing 8$ mm by 4 mm deep
 A2: cable $\varnothing 7,5$ mm

Electrak Pro Programming Unit

Designation	Part Number
Programming Unit	9200-101-045

If an Electrak Pro actuator is equipped with the programmable limit switch option the programming unit is necessary to be able to program the limit switch positions.



A1: cable
 A2: key ring

Accessories and Spare Parts

Spare Parts

Electrak Pro Spare Parts	
Designation	Part Number
Electrak Pro mating connector	9200-101-042
Electrak Pro mating connector with 1 m pigtail	9200-101-043
Electrak Pro manual override seal	9200-680-001