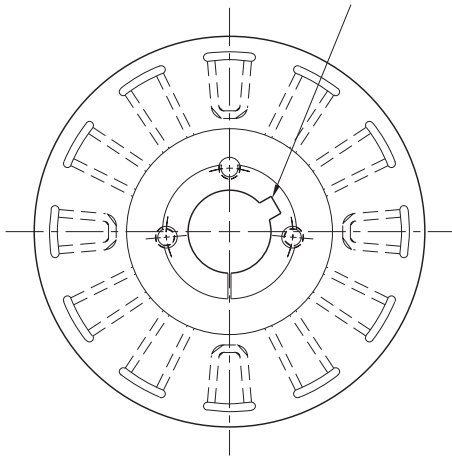


# Brake

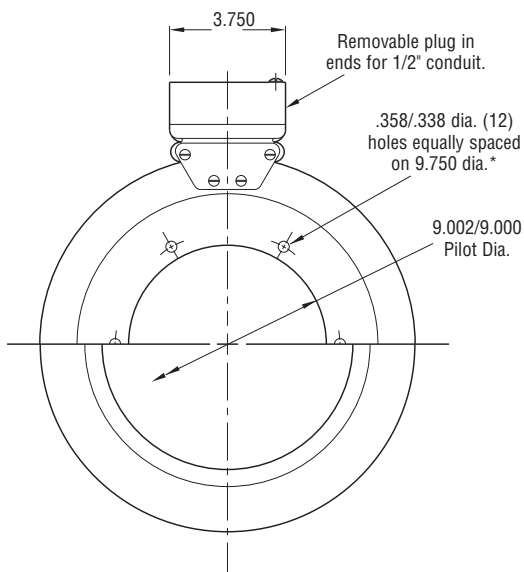
## PB-1525 Normal Duty



See page 252 for details on Bushings.



**ARMATURE VIEW**

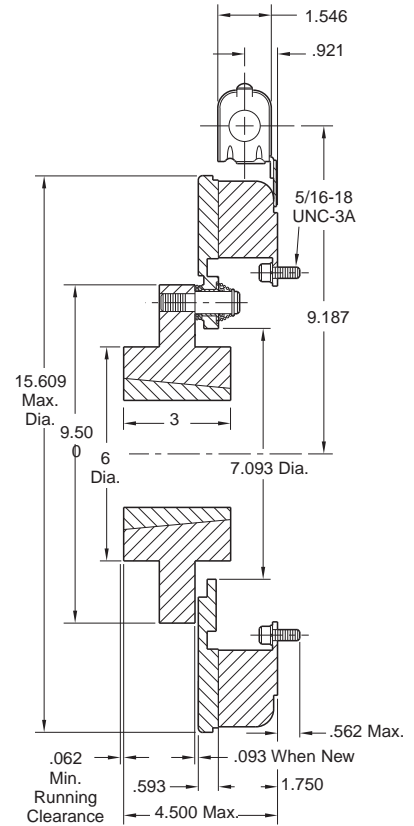


**MAGNET VIEW  
(Inside & Outside Mounted)**

\* Mounting holes are within .010 of true position relative to pilot diameter.

### Customer Shall Maintain:

1. Squareness of magnet mounting face with armature shaft within .006 T.I.R.
2. Concentricity of magnet mounting pilot diameter with armature shaft within .010 T.I.R.



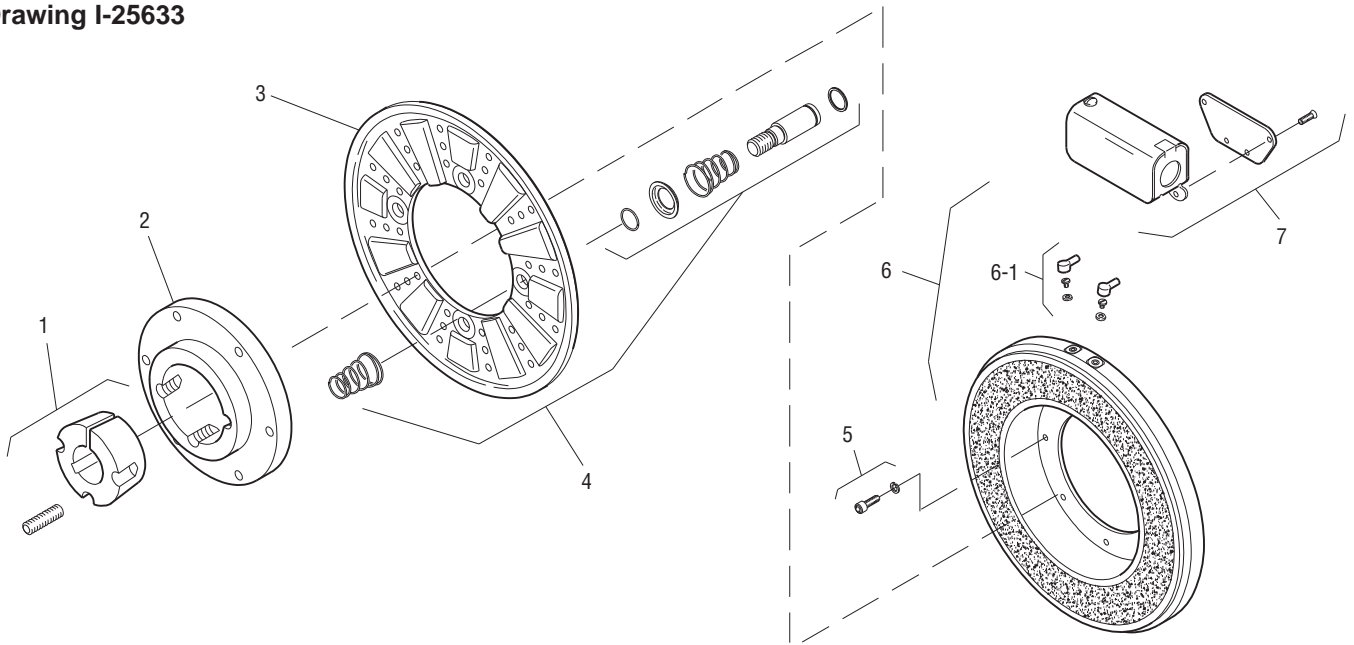
|                  |                |
|------------------|----------------|
| Shaft Size       | .937 – 3.000   |
| Static Torque    | 700 lb. ft.    |
| Maximum Speed    | 2,000 rpm      |
| Standard Voltage | D.C. 6, 24, 90 |

All dimensions are nominal unless otherwise noted.

Information on inertia and weights begins on page 239. Coil data is on pages 250 and 251.



**Drawing I-25633**



| Item | Description               | Part Number          | Qty. |
|------|---------------------------|----------------------|------|
| 1    | Bushing*                  |                      | 1    |
|      | 15/16" to 3" Bore         | 180-0262 to 180-0295 |      |
| 2    | Armature Hub              | 540-0314             | 1    |
| 3    | Armature                  | 5304-111-004         | 1    |
| 4    | Autogap Accessory         | 5201-101-008         | 4    |
| 5    | Mounting Accessory - I.M. | 5321-101-001         | 2    |
| 6    | Magnet - Inside Mounted   |                      | 1    |
|      | 6 Volt                    | 5314-631-004         |      |
|      | 24 Volt                   | 5314-631-006         |      |
|      | 90 Volt                   | 5314-631-005         |      |
|      | †90 Volt                  | 5314-631-001         |      |
| 6-1  | Terminal Accessory        | 5311-101-001         | 1    |
| 7    | Conduit Box               | 5200-101-011         | 1    |

**How to Order:**

1. Specify Bore Size for Item 1.
2. Specify Inside Mounted for Items 5 and 6.
3. Specify Voltage for Item 6.
4. See Controls Section.

**Example:**

PB-1525 Brake per I-25633 - 90 Volt,  
1-1/2" Bore, Inside Mounted

These units, when used in conjunction with the correct Warner Electric conduit box, meet the standards of UL508 and are listed under guide card #NMTR, file #59164. These units are CSA certified under file #LR11543.

\*See page 252 for specific part numbers.

Refer to Service Manual P-208.