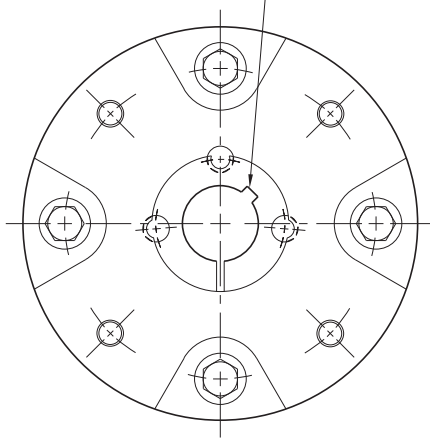


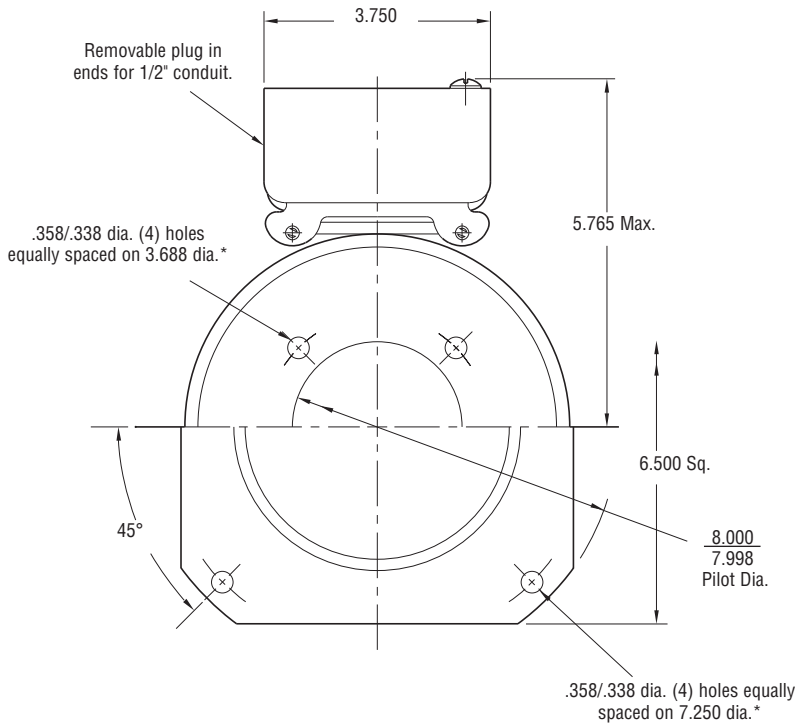
Brake

PB-650

See page 252 for details on Bushings.



HUB VIEW

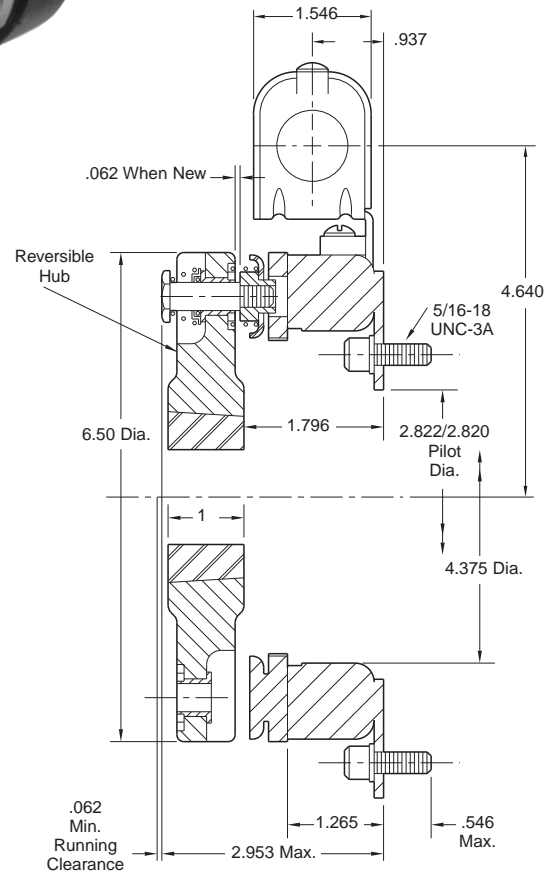


MAGNET VIEW
(Inside & Outside Mounted)

* Mounting holes are within .010 of true position relative to pilot diameter.

Customer Shall Maintain:

1. Squareness of brake mounting face with armature hub shaft within .006 T.I.R.
2. Concentricity of brake mounting pilot diameter with armature hub shaft within .010 T.I.R.



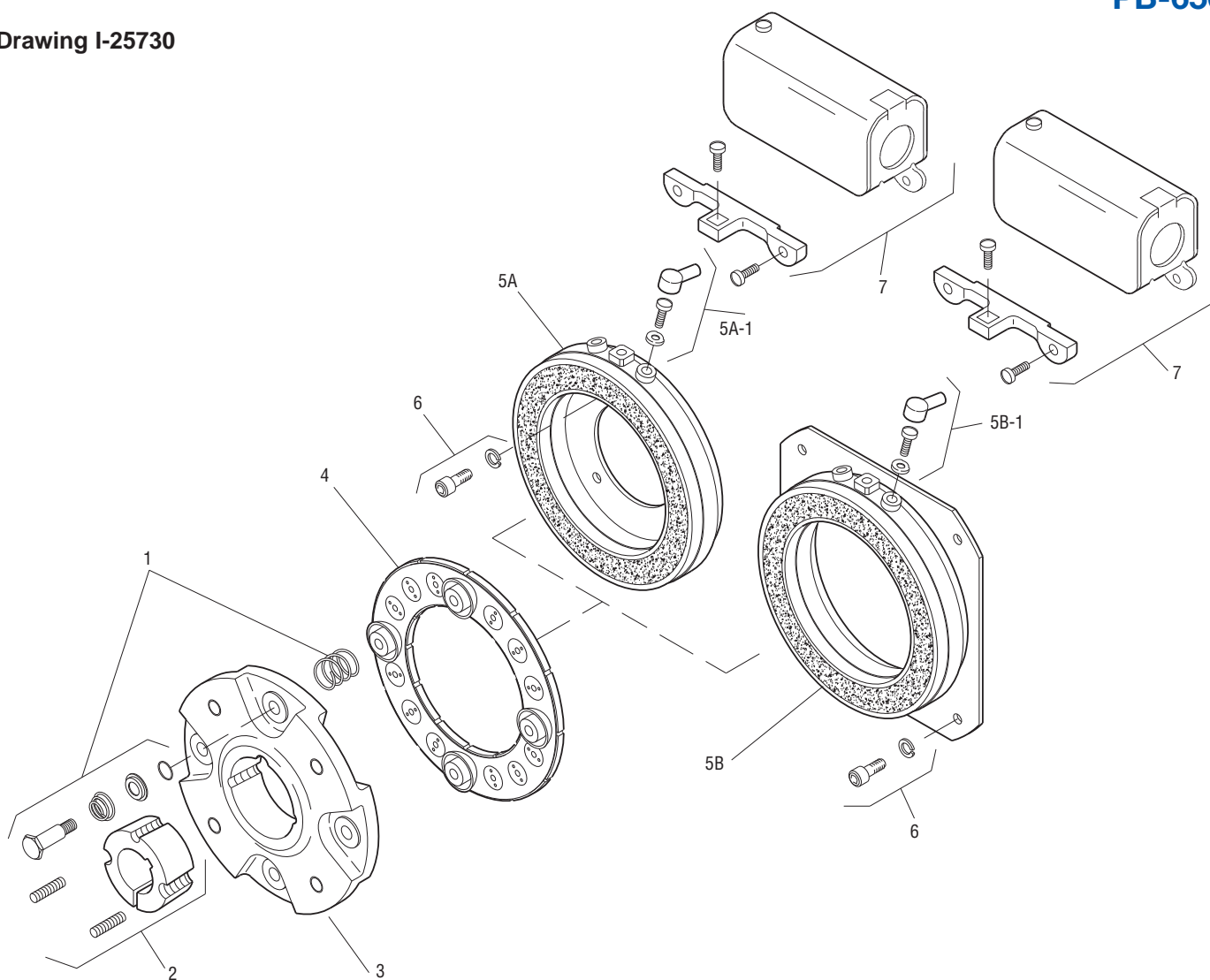
| | |
|------------------|----------------|
| Shaft Sizes | .500 – 1.625 |
| Static Torque | 95 lb. ft. |
| Maximum Speed | 3,600 rpm |
| Standard Voltage | D.C. 6, 24, 90 |

All dimensions are nominal unless otherwise noted.

Information on inertia and weights begins on page 239. Coil data is on pages 250 and 251.



Drawing I-25730



| Item | Description | Part Number | Qty. |
|------|--------------------------|----------------------|------|
| 1 | Autogap Accessory | 5181-101-010 | 4 |
| 2 | Bushing* | | 1 |
| | 1/2" to 1-5/8" Bore | 180-0326 to 180-0344 | |
| 3 | Armature Hub | 5207-541-002 | 1 |
| 4 | Armature | 5281-111-002 | 1 |
| 5A | Magnet - Inside Mounted | | 1 |
| | 6 Volt | 5369-631-003 | |
| | 24 Volt | 5369-631-006 | |
| | 90 Volt | 5369-631-005 | |
| 5A-1 | Terminal Accessory | 5311-101-001 | 1 |
| 5B | Magnet - Outside Mounted | | 1 |
| | 6 Volt | 5369-631-009 | |
| | 24 Volt | 5369-631-012 | |
| | 90 Volt | 5369-631-011 | |
| 5B-1 | Terminal Accessory | 5311-101-001 | 1 |
| 6 | Mounting Accessory | 5321-101-002 | 1 |
| 7 | Conduit Box | 5200-101-010 | 1 |

How to Order:

1. Specify Bore Size for Item 2.
2. Specify Voltage for Item 5.
3. Specify Inside or Outside Mounted for Item 5.
4. See Controls Section.

Example:

PB-650 Brake per I-25730 - 90 Volt, 1" Bore

These units, when used in conjunction with the correct Warner Electric conduit box, meet the standards of UL508 and are listed under guide card #NMTR, file #59164. These units are CSA certified under file #LR11543.

*See page 252 for specific part numbers.

Refer to Service Manual P-204.