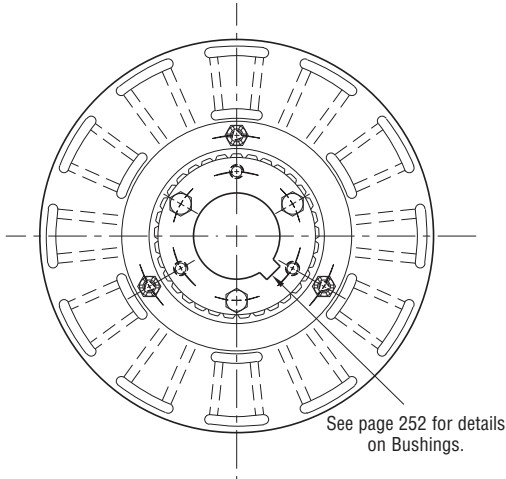
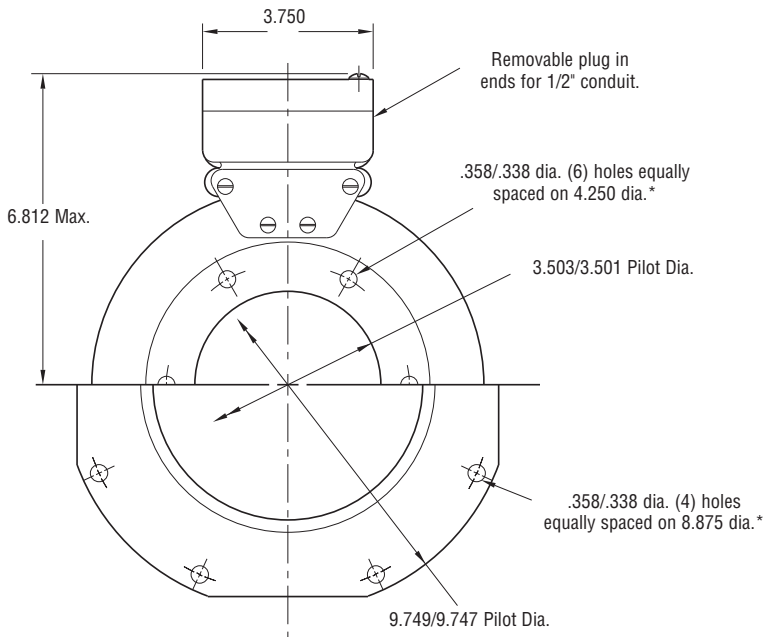


# Brake

## PB-825 Heavy Duty



**ARMATURE VIEW**

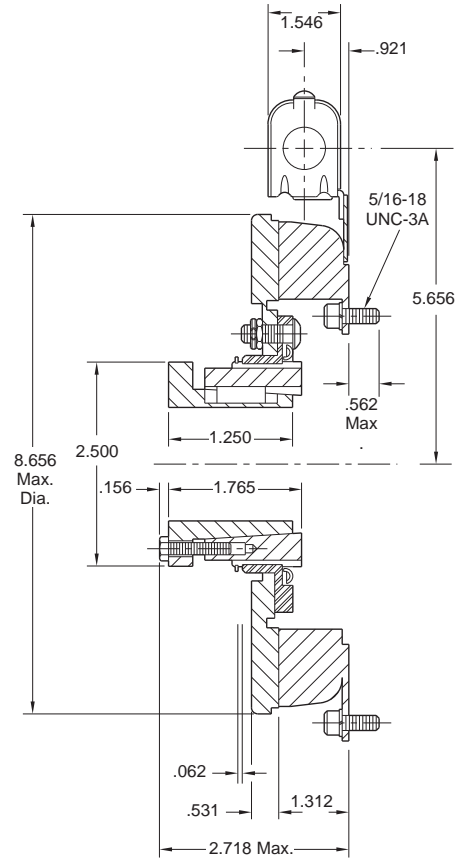


**MAGNET VIEW  
(Inside & Outside Mounted)**

\* Mounting holes are within .010 of true position relative to pilot diameter.

**Customer Shall Maintain:**

1. Squareness of magnet mounting face with armature shaft within .006 T.I.R.
2. Concentricity of magnet mounting pilot diameter with armature shaft within .010 T.I.R.



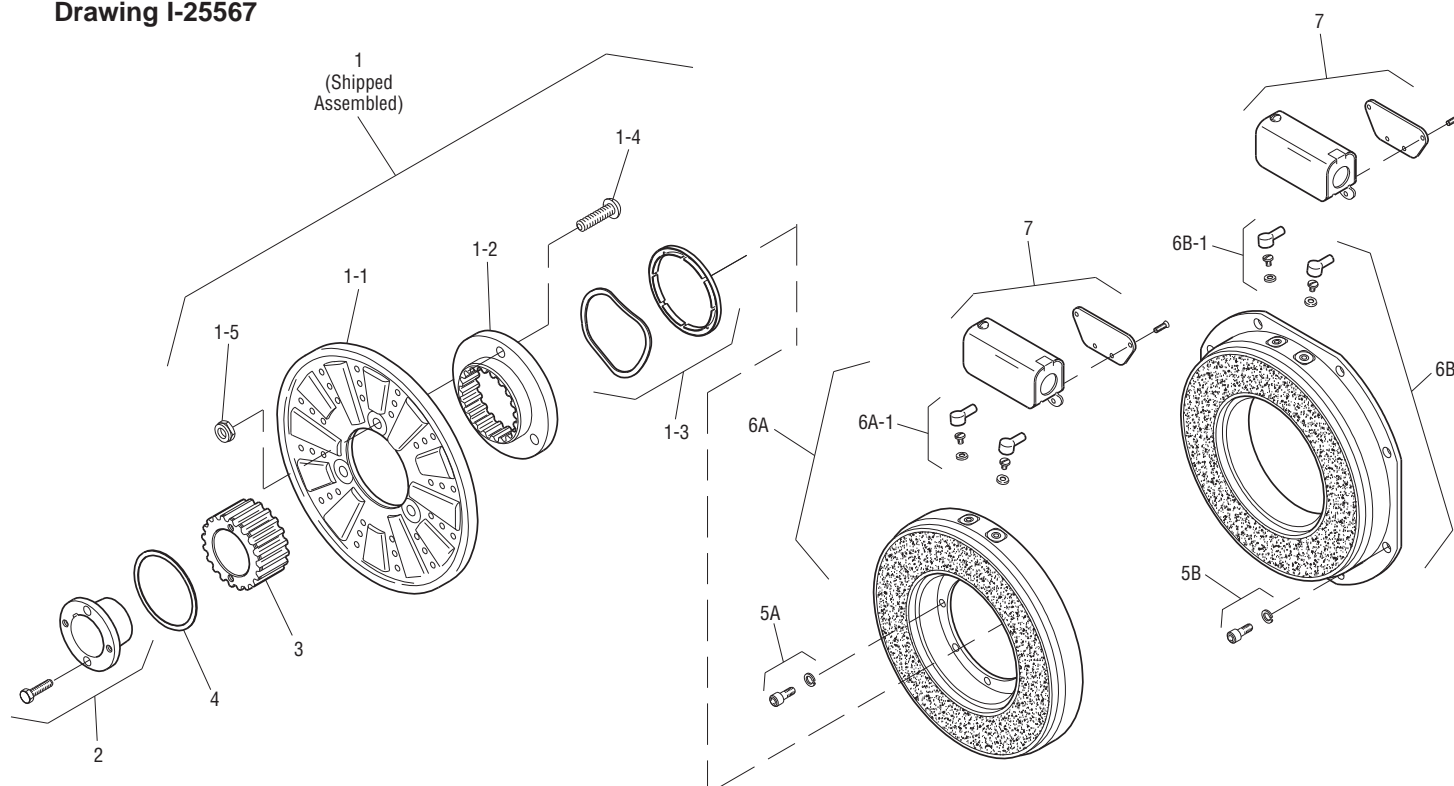
|                  |                |
|------------------|----------------|
| Shaft Size       | .500 – 1.500   |
| Static Torque    | 125 lb. ft.    |
| Maximum Speed    | 4,000 rpm      |
| Standard Voltage | D.C. 6, 24, 90 |

All dimensions are nominal unless otherwise noted.

Information on inertia and weights begins on page 239. Coil data is on pages 250 and 251.



Drawing I-25567



| Item | Description               | Part Number          | Qty. |
|------|---------------------------|----------------------|------|
| 1    | Armature Assembly         | 5321-111-001         | 1    |
| 1-1  | Armature                  | 5321-111-022         | 1    |
| 1-2  | Splined Adapter           | 104-0008             | 1    |
| 1-3  | Autogap Accessory         | 5321-101-006         | 1    |
| 1-4  | Screw                     | 797-0272             | 3    |
| 1-5  | Locknut                   | 661-0004             | 3    |
| 2    | Bushing*                  |                      | 1    |
|      | 1/2" to 1-1/2" Bore       | 180-0002 to 180-0018 |      |
| 3    | Splined Hub               | 540-0057             | 1    |
| 4    | Retainer Ring             | 748-0006             | 1    |
| 5A   | Mounting Accessory - I.M. | 5321-101-001         | 1    |
| 5B   | Mounting Accessory - O.M. | 5321-101-002         | 1    |
| 6A   | Magnet - Inside Mounted   |                      | 1    |
|      | 6 Volt                    | 5311-631-002         |      |
|      | 24 Volt                   | 5311-631-003         |      |
|      | 90 Volt                   | 5311-631-004         |      |
|      | †90 Volt LK Facing        | 5311-631-011         |      |
| 6A-1 | Terminal Accessory        | 5311-101-001         | 1    |
| 6B   | Magnet - Outside Mounted  |                      | 1    |
|      | 6 Volt                    | 5311-631-007         |      |
|      | 24 Volt                   | 5311-631-009         |      |
|      | 90 Volt                   | 5311-631-008         |      |
|      | †90 Volt LK Facing        | 5311-631-012         |      |

| Item | Description        | Part Number  | Qty. |
|------|--------------------|--------------|------|
| 6B-1 | Terminal Accessory | 5311-101-001 | 1    |
| 7    | Conduit Box        | 5200-101-011 | 1    |

### How to Order:

1. Specify Bore Size for Item 2.
2. Specify Inside Mounted for Items 5A and 6A or Outside Mounted for Items 5B and 6B.
3. Specify Voltage for Item 6A or 6B.
4. See Controls Section.

### Example:

PB-825 Brake per I-25567 - 90 Volt, 1" Bore, Inside Mounted

These units, when used in conjunction with the correct Warner Electric conduit box, meet the standards of UL508 and are listed under guide card #NMTR, file #59164. These units are CSA certified under file #LR11543.

\*See page 252 for specific part numbers.

Refer to Service Manual P-209.

†Optional LK facing available. For more information, see page 232.