

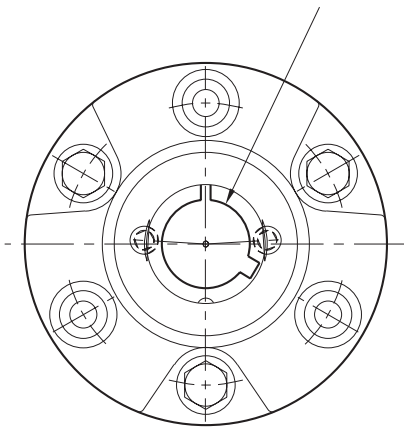
# Clutch Coupling

## SFC-500 Bearing Mounted

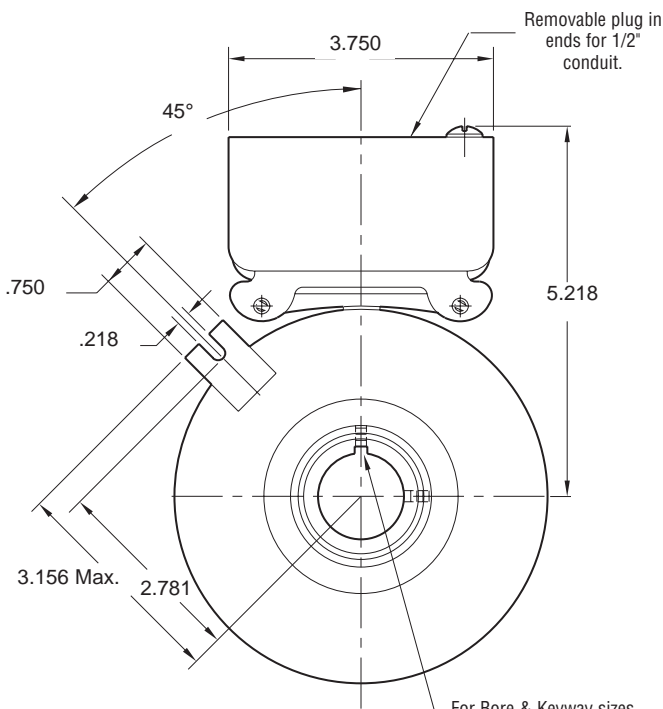
# Normal Duty



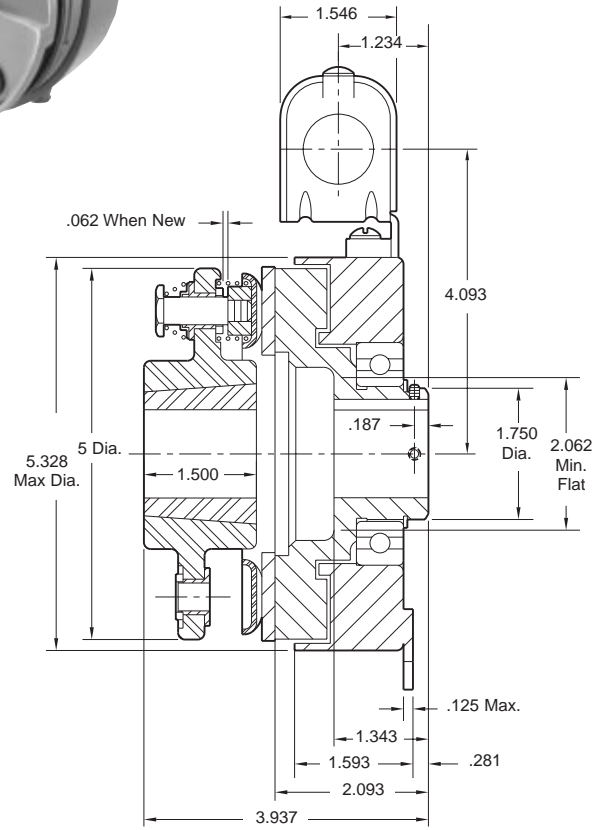
See page 252 for details on Bushings & keyways.



**HUB VIEW**



**FIELD VIEW**



### Bore & Keyway Dimensions

| Rotor Bore Dia.  | Keyway      |
|--|-------------|
| .751/.750<br>.876/.875                                   | .187 x .093 |
| .9385/.9375<br>1.001/1.000<br>1.126/1.125<br>1.251/1.250 | .250 x .125 |

|                  |                |
|------------------|----------------|
| Armature Shaft   | .500 – 1.250   |
| Rotor Shaft      | .750 – 1.250   |
| Static Torque    | 50 lb.ft.      |
| Maximum Speed    | 4,000 rpm      |
| Standard Voltage | D.C. 6, 24, 90 |

All dimensions are nominal unless otherwise noted.

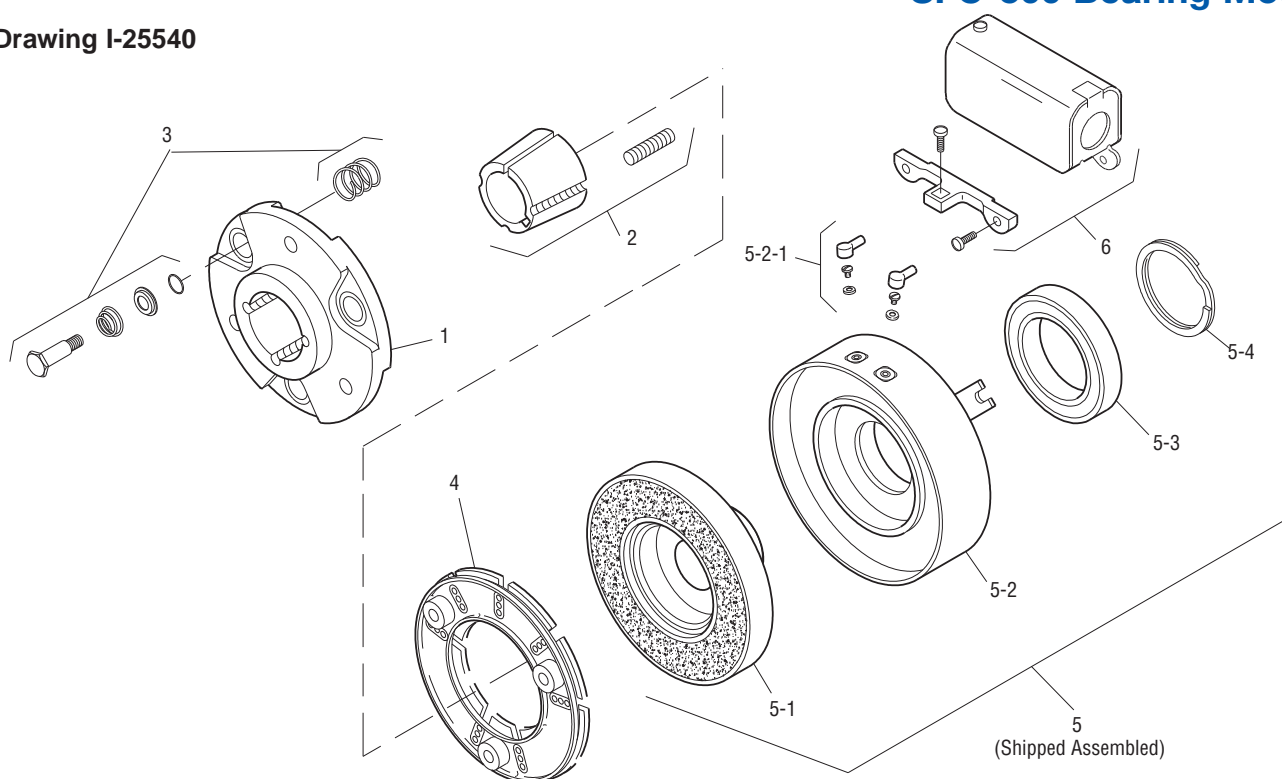
Information on inertia and weights begins on page 239. Coil data is on pages 250 and 251.

### Customer Shall Maintain:

1. Armature mounting shaft to be concentric with rotor mounting shaft within .006 T.I.R.



Drawing I-25540



| Item | Description              | Part Number          | Qty. |
|------|--------------------------|----------------------|------|
| 1    | Armature Hub             | 5300-541-004         | 1    |
| 2    | Bushing*                 |                      | 1    |
|      | 1/2" to 1 1/4" Bore      | 180-0116 to 180-0128 |      |
| 3    | Autogap Accessory        | 5200-101-009         | 3    |
| 4    | Armature                 | 5300-111-002         | 1    |
| 5    | Field and Rotor Assembly |                      | 1    |
|      | 6 Volt – 3/4" Bore       | 5200-452-002         |      |
|      | 24 Volt – 3/4" Bore      | 5200-452-004         |      |
|      | 90 Volt – 3/4" Bore      | 5200-452-005         |      |
|      | 6 Volt – 7/8" Bore       | 5200-452-008         |      |
|      | 24 Volt – 7/8" Bore      | 5200-452-010         |      |
|      | 90 Volt – 7/8" Bore      | 5200-452-011         |      |
|      | 24 Volt – 15/16" Bore    | 5200-452-016         |      |
|      | 90 Volt – 15/16" Bore    | 5200-452-017         |      |
|      | 6 Volt – 1" Bore         | 5200-452-020         |      |
|      | 24 Volt – 1" Bore        | 5200-452-022         |      |
|      | 90 Volt – 1" Bore        | 5200-452-023         |      |
|      | 6 Volt – 1-1/8" Bore     | 5200-452-026         |      |
|      | 24 Volt – 1-1/8" Bore    | 5200-452-028         |      |
|      | 90 Volt – 1-1/8" Bore    | 5200-452-029         |      |
|      | 6 Volt – 1-1/4" Bore     | 5200-452-032         |      |
|      | 24 Volt – 1-1/4" Bore    | 5200-452-034         |      |
|      | 90 Volt – 1-1/4" Bore    | 5200-452-035         |      |
| 5-1  | Rotor                    |                      | 1    |
|      | 3/4" Bore                | 5200-751-002         |      |
|      | 7/8" Bore                | 5200-751-003         |      |
|      | 15/16" Bore              | 5200-751-004         |      |

| Item  | Description              | Part Number  | Qty. |
|-------|--------------------------|--------------|------|
|       | 1" Bore                  | 5200-751-005 |      |
|       | 1-1/8" Bore              | 5200-751-006 |      |
|       | 1-1/4" Bore              | 5200-751-007 |      |
| 5-2   | Field & Bearing Assembly |              | 1    |
|       | 6 Volt                   | 5200-451-024 |      |
|       | 24 Volt                  | 5200-451-026 |      |
|       | 90 Volt                  | 5200-451-027 |      |
| 5-2-1 | Terminal Accessory       | 5311-101-001 | 1    |
| 5-3   | Ball Bearing             | 166-0110     | 1    |
| 5-4   | Retainer Ring            | 748-0002     | 1    |
| 6     | Conduit Box              | 5200-101-010 | 1    |

**How to Order:**

1. Specify Bore Size for Item 2 and Item 5.
2. Specify Voltage for Item 5.
3. See Controls Section.

**Example:**

SFC-500 Clutch Coupling per I-25540 - 90 Volt 3/4" Bores

These units, when used in conjunction with the correct Warner Electric conduit box, meet the standards set of UL508 and are listed under guide card #NMTR2, file #59164.

These units are CSA certified under file #LR11543

\*See page 252 for specific part numbers.

Refer to Service Manual P-202.