

# OPT Mini Series



OPT 2015 LUN-YUAN ENTERPRISE CO., LTD.



OPT BATTERY TOOL · OPT MINI SERIES

# OPT

18V & 14.4V

MINI BATTERY TOOL

CRIMPING + CUTTING + PUNCHING + PRESSING  
NEW SERIES - SENSOR VERSION OF MINI TOOLS



LUN-YUAN ENTERPRISE CO., LTD.  
NO.33, RENHUAGONG 18TH RD.,  
DALI DIST., TAICHUNG CITY, TAIWAN (R.O.C.) 41278  
TEL: 886-4-24912681 FAX: 886-4-24913819  
Our e-mail : opttools@ms46.hinet.net  
www.opttools.com



**OPT** ELECTRICIANS TOOLS

**Feature:**

- Double-stage hydraulic for interchangeable dies
- 180 degree swivelling crimping head
- Easy operation & lighter
- Manual return flow after perfect pressure
- Different models for choice: 14.4V & 18V tools

**Application:** Cable Lugs Crimping

- MEP-185** (With 14.4V Ni-MH / 3Ah Battery)
- MEPL-185** (With 14.4V Li-Ion / 3Ah Battery)
- MEPB-185** (With 18V Li-Ion / 1.5Ah Battery)
- MEPS-185** (With 18V Li-Ion / 1.5Ah Battery-Sensor)

Outputs: 6 Tons

Capacity: Copper Cable Lugs Max. 185mm<sup>2</sup> (350MCM)

Aluminum Cable Lugs Max. 150 mm<sup>2</sup> (300MCM)

Standard Dies: 10-185 mm<sup>2</sup>

Jaw Opening Type: Flip Open

Stroke Length: 17mm

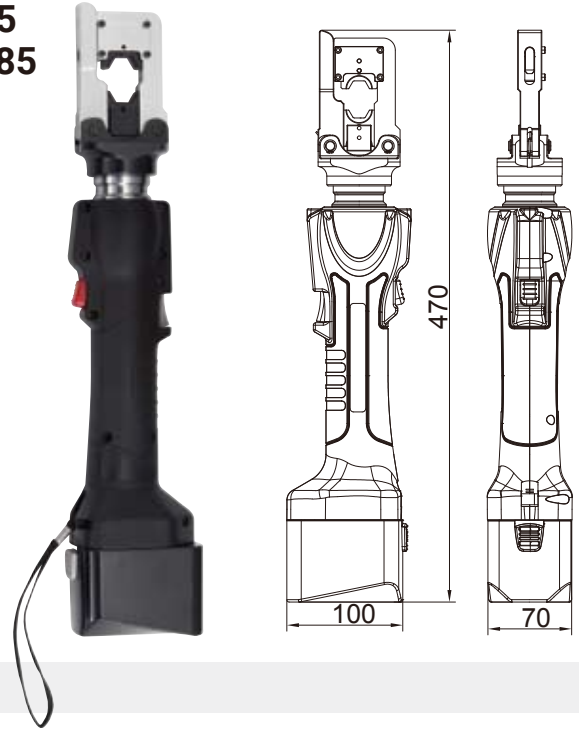
Pressure Time: 3-6 Seconds

Battery Charging Time: 90 Minutes (MEP-185)  
60 Minutes (MEPL-185)  
30 Minutes (MEPB-185 & MEPS-185)

Weight without Battery: About 2.4 kgs

Tool Dimension: Check the dimension drawings

**MEP-185  
MEPL-185**

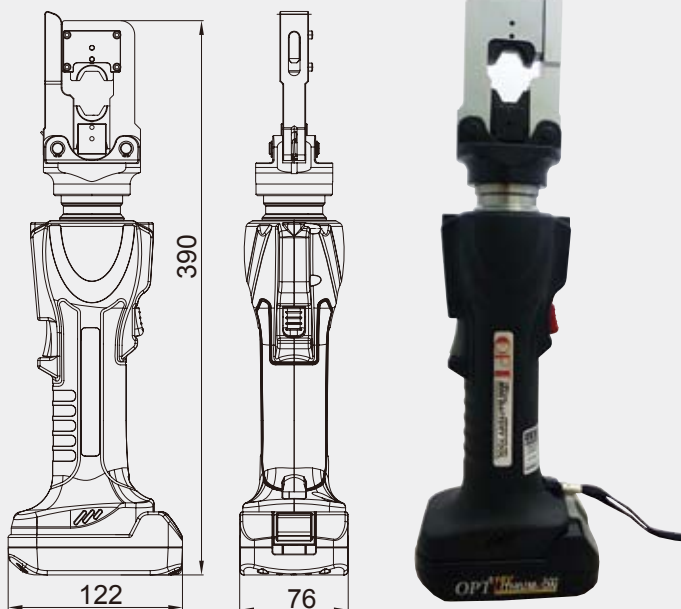


**+ TRY NEW SENSOR**

**What's new on sensor system?**

- LED working light
- Smart Advice System
- MEPS-185 could work with smart optional accessory TA-21 which could get the record of Crimping Time/ Battery Voltage/ Pressure/ Temperature/ Tool No./ Power Source and so on

**MEPB-185**



**MEPS-185**



**Feature:**

- Double-stage hydraulic for interchangeable dies
- 180 degree swivelling crimping head
- Easy operation & lighter
- Manual return flow after perfect pressure
- Different models for choice: 14.4V & 18V tools

**Application:** Cable Lugs Crimping

- MEP-240** (With 14.4V Ni-MH / 3Ah Battery)
- MEPL-240** (With 14.4V Li-Ion / 3Ah Battery)
- MEPB-240** (With 18V Li-Ion / 1.5Ah Battery)
- MEPS-240** (With 18V Li-Ion / 1.5Ah Battery-Sensor)

Outputs: 6 Tons

Capacity: Copper Cable Lugs Max. 240 mm<sup>2</sup> (500MCM)

Aluminum Cable Lugs Max. 185 mm<sup>2</sup> (350MCM)

Standard Dies: 10-240 mm<sup>2</sup>

Jaw Opening Type: Flip Open

Stroke Length: 17mm

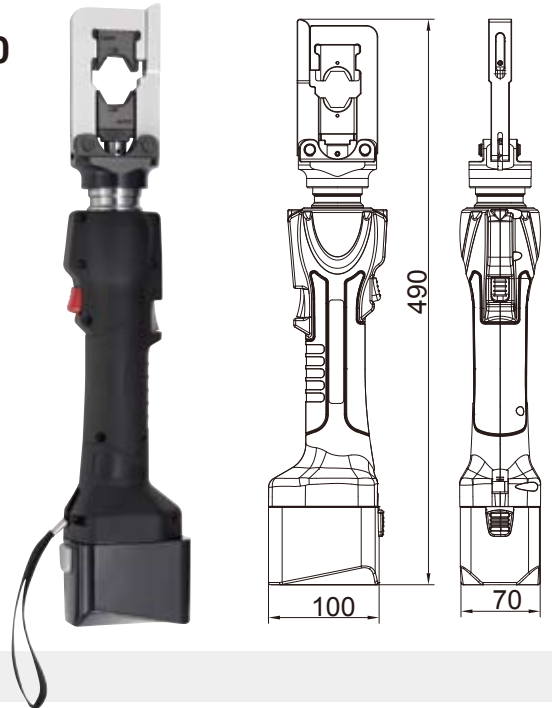
Pressure Time: 3-6 Seconds

Battery Charging Time: 90 Minutes (MEP-240)  
60 Minutes (MEPL-240)  
30 Minutes (MEPB-240 & MEPS-240)

Weight without Battery: About 2.5 kgs

Tool Dimension: Check the dimension drawings

**MEP-240  
MEPL-240**

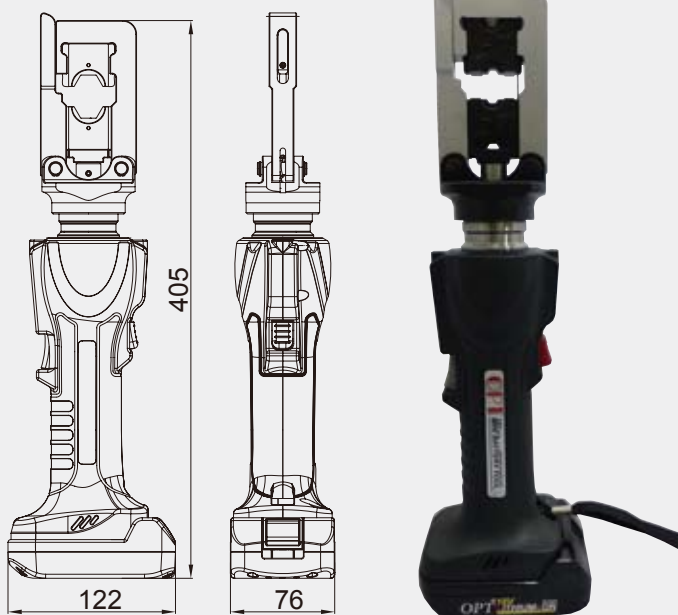


**+ TRY NEW SENSOR**

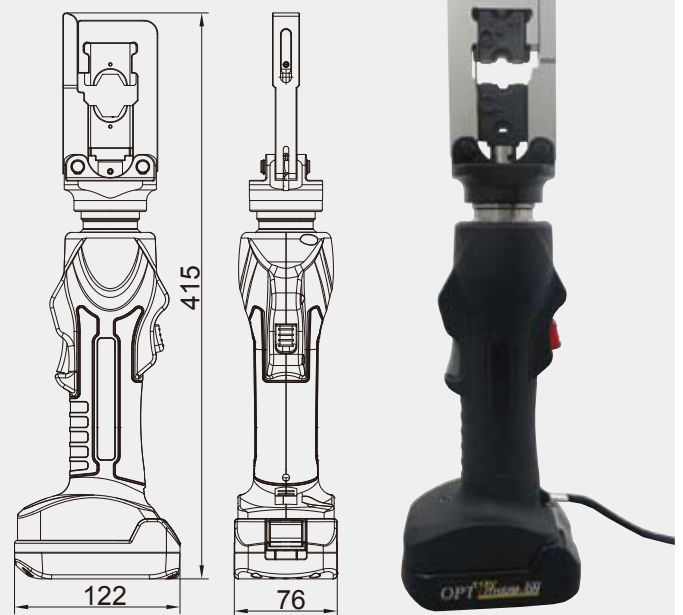
**What's new on sensor system?**

- LED working light
- Smart Advice System
- MEPS-240 could work with smart optional accessory TA-21 which could get the record of Crimping Time/ Battery Voltage/ Pressure/ Temperature/ Tool No./ Power Source and so on

**MEPB-240**



**MEPS-240**



**Feature:**

- Double-stage hydraulic for interchangeable dies
- 180 degree swivelling crimping head
- Easy operation & lighter
- Manual return flow after perfect pressure
- Different models for choice: 14.4V & 18V tools

**Application:** Cable Lugs Crimping

- MEP-22** (With 14.4V Ni-MH / 3Ah Battery)
- MEPL-22** (With 14.4V Li-Ion / 3Ah Battery)
- MEPB-22** (With 18V Li-Ion / 1.5Ah Battery)
- MEPS-22** (With 18V Li-Ion / 1.5Ah Battery-Sensor)

Outputs: 6 Tons  
 Capacity: Copper Cable Lugs Max. 300 mm<sup>2</sup> (600MCM)  
 Aluminum Cable Lugs Max. 240 mm<sup>2</sup> (500MCM)  
 Standard Dies: 70-300 mm<sup>2</sup>  
 Jaw Opening Type: Flip Open  
 Stroke Length: 17mm  
 Pressure Time: 3-6 Seconds  
 Battery Charging Time: 90 Minutes (MEP-22)  
 60 Minutes (MEPL-22)  
 30 Minutes (MEPB-22 & MEPS-22)  
 Weight without Battery: About 2.9 kgs  
 Tool Dimension: Check the dimension drawings

**MEP-22  
MEPL-22**

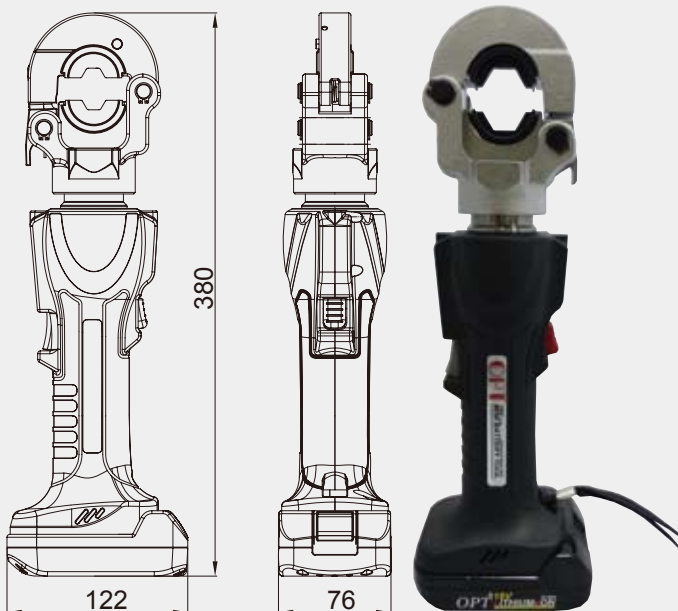


**+ TRY NEW SENSOR**

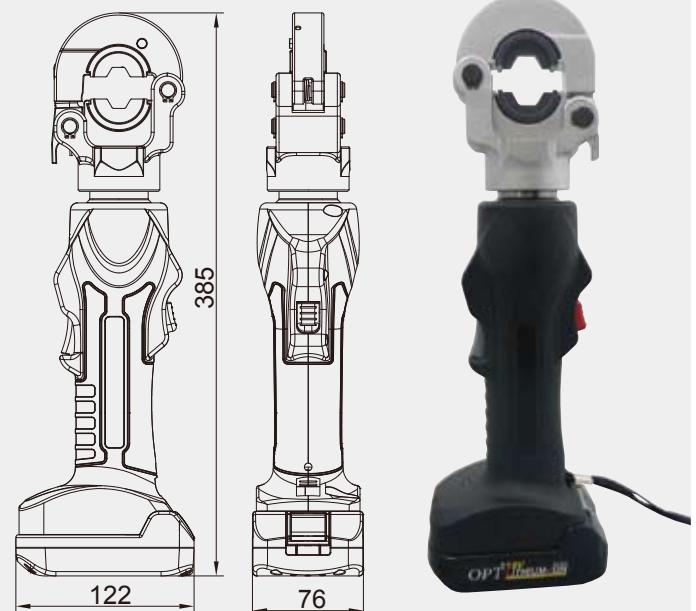
**What's new on sensor system?**

- LED working light
- Smart Advice System
- MEPS-22 could work with smart optional accessory TA-21 which could get the record of Crimping Time/ Battery Voltage/ Pressure/ Temperature/ Tool No./ Power Source and so on

**MEPB-22**



**MEPS-22**



**Feature:**

- Dieless Crimping
- 360 degree swivelling crimping head
- Easy operation & lighter
- Manual return flow after perfect pressure
- Different models for choice: 14.4V & 18V tools

**Application:** Cable Lugs Crimping

- MEP-6** (With 14.4V Ni-MH / 3Ah Battery)
- MEPL-6** (With 14.4V Li-Ion / 3Ah Battery)
- MEPB-6** (With 18V Li-Ion / 1.5Ah Battery)
- MEPS-6** (With 18V Li-Ion / 1.5Ah Battery-Sensor)

Outputs: 6 Tons

Tool Type: Dieless Crimping

Opening between Nibs: 32mm

Capacity: DIN 16-240mm<sup>2</sup>

AWG10-500MCM

Battery Charging Time: 90 Minutes(MEP-6)

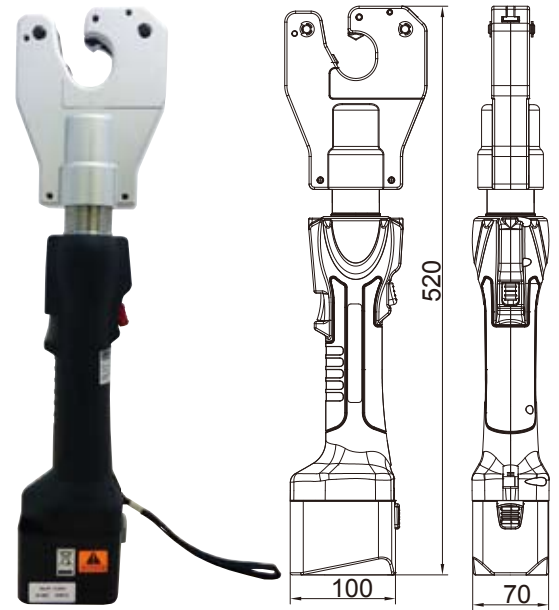
60 Minutes(MEPL-6)

30 Minutes(MEPB-6 & MEPS-6)

Weight without Battery: About 2.6 kgs

Tool Dimension: Check the dimension drawings

**MEP-6  
MEPL-6**

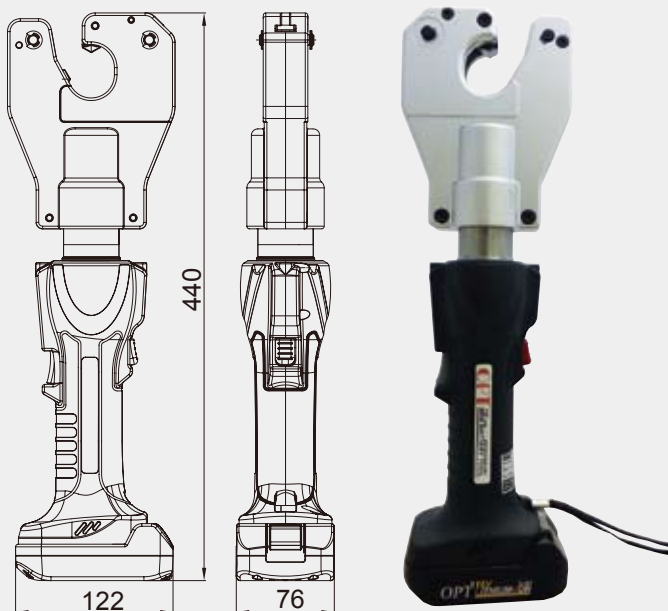


**+ TRY NEW SENSOR**

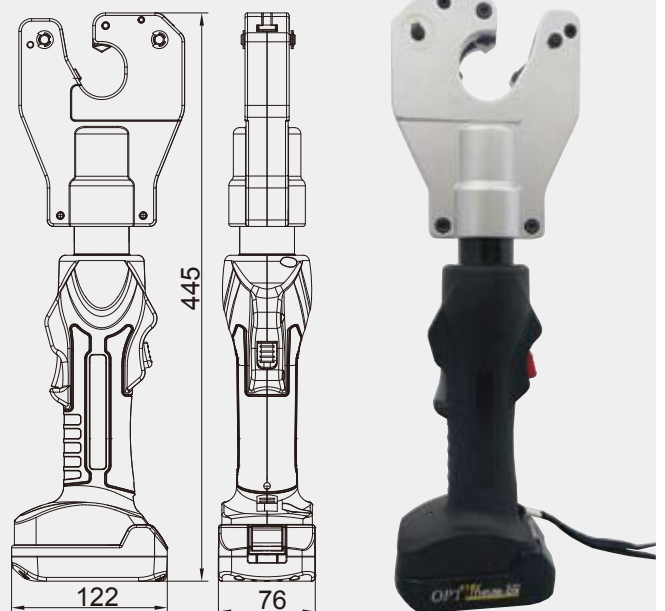
**What's new on sensor system?**

- LED working light
- Smart Advice System
- MEPS-6 could work with smart optional accessory TA-21 which could get the record of Crimping Time/ Battery Voltage/ Pressure/ Temperature/ Tool No./ Power Source and so on

**MEPB-6**



**MEPS-6**



**Feature:**

- Dieless Crimping
- 360 degree swivelling crimping head
- Easy operation & lighter
- Manual return flow after perfect pressure
- Different models for choice: 14.4V & 18V tools

**Application:** Cable Lugs Crimping

- MEP-8** (With 14.4V Ni-MH / 3Ah Battery)
- MEPL-8** (With 14.4V Li-Ion / 3Ah Battery)
- MEPB-8** (With 18V Li-Ion / 1.5Ah Battery)
- MEPS-8** (With 18V Li-Ion / 1.5Ah Battery-Sensor)

Outputs: 6 Tons

Tool Type: Dieless Crimping

Opening between Nibs: 36mm

Capacity: DIN 25-300mm<sup>2</sup>

AWG3-600MCM

Battery Charging Time: 90 Minutes(MEP-8)

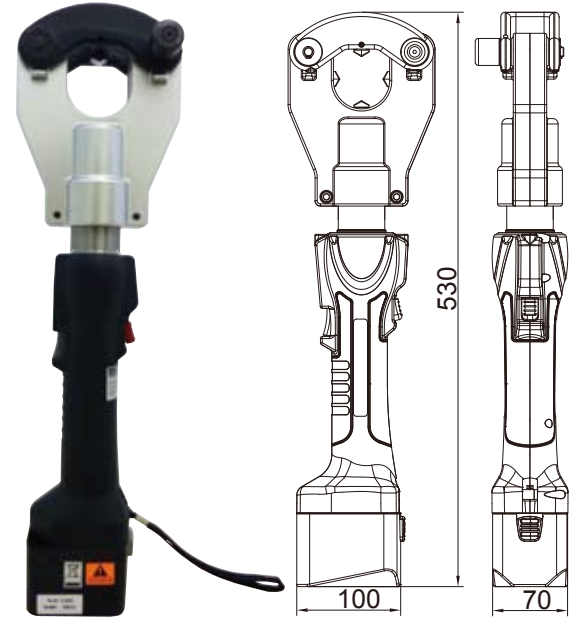
60 Minutes(MEPL-8)

30 Minutes(MEPB-8 & MEPS-8)

Weight without Battery: About 2.3 kgs

Tool Dimension: Check the dimension drawings

**MEP-8  
MEPL-8**

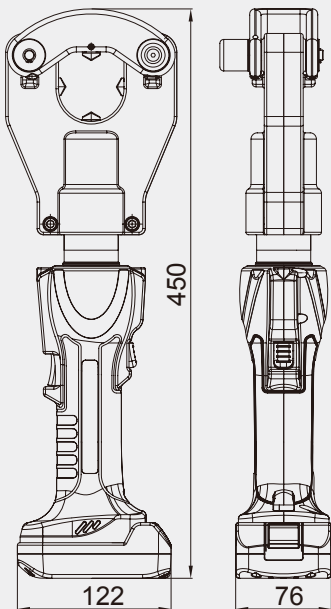


**+ TRY NEW SENSOR**

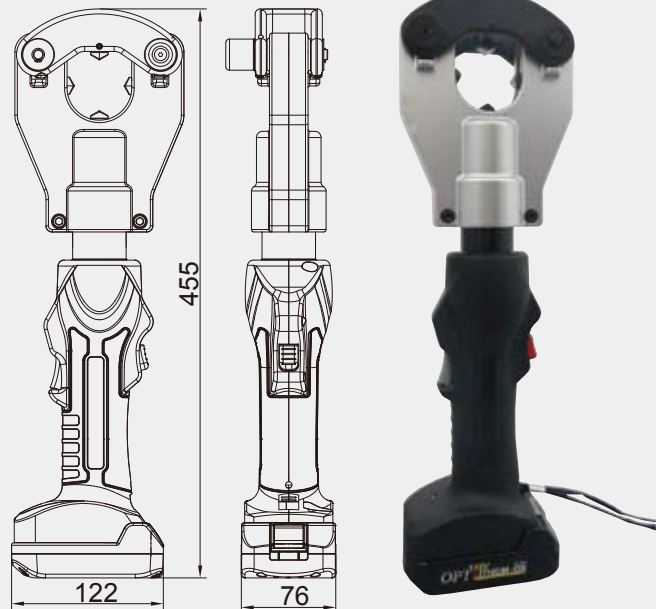
**What's new on sensor system?**

- LED working light
- Smart Advice System
- MEPS-8 could work with smart optional accessory TA-21 which could get the record of Crimping Time/ Battery Voltage/ Pressure/ Temperature/ Tool No./ Power Source and so on

**MEPB-8**



**MEPS-8**



**Feature:**

- Double-stage hydraulic for interchangeable dies
- 360 degree swivelling crimping head
- Easy operation & lighter
- Manual return flow after perfect pressure
- Different models for choice: 14.4V & 18V tools

**Application:** BS & DIN46235 Copper Terminal Crimping  
DIN48201 Aluminum Conductor Crimping

**MEP-CX1** (With 14.4V Ni-MH / 3Ah Battery)

**MEPL-CX1** (With 14.4V Li-Ion / 3Ah Battery)

**MEPB-CX1** (With 18V Li-Ion / 1.5Ah Battery)

**MEPS-CX1** (With 18V Li-Ion / 1.5Ah Battery-Sensor)

Outputs: 6 Tons

Capacity: BS Standard Copper Terminal 25-300mm<sup>2</sup>

DIN46235 Copper Terminal 25-240mm<sup>2</sup>

DIN48201 Aluminum Conductor 25-185mm<sup>2</sup>

Standard Dies: 25-240mm<sup>2</sup>

Battery Charging Time: 90 Minutes(MEP-CX1)

60 Minutes(MEPL-CX1)

30 Minutes(MEPB-CX1 & MEPS-CX1)

Weight without Battery: About 2.3 kgs

Tool Dimension: Check the dimension drawings

**MEP-CX1  
MEPL-CX1**

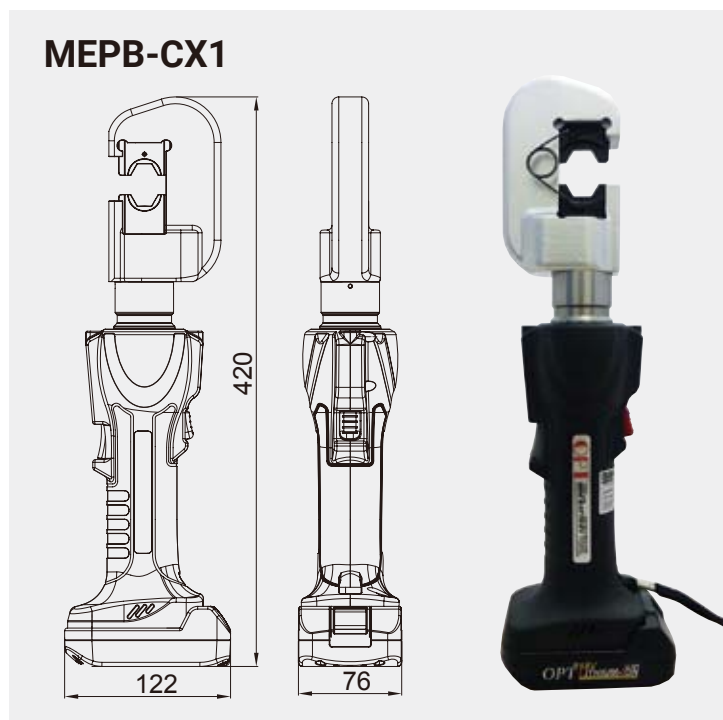


**+ TRY NEW SENSOR**

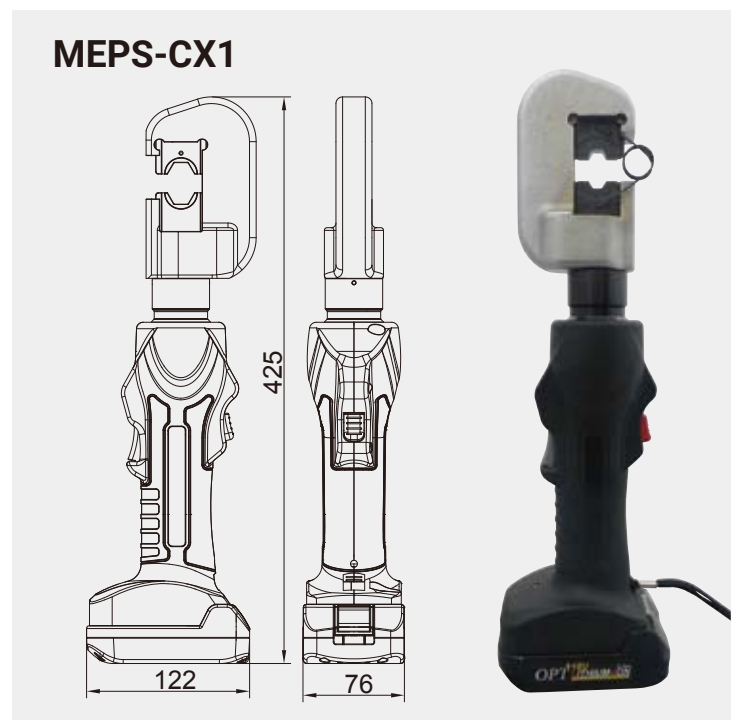
**What's new on sensor system?**

- LED working light
- Smart Advice System
- MEPS-CX1 could work with smart optional accessory TA-21 which could get the record of Crimping Time/ Battery Voltage/ Pressure/ Temperature/ Tool No./ Power Source and so on

**MEPB-CX1**



**MEPS-CX1**



**Feature:**

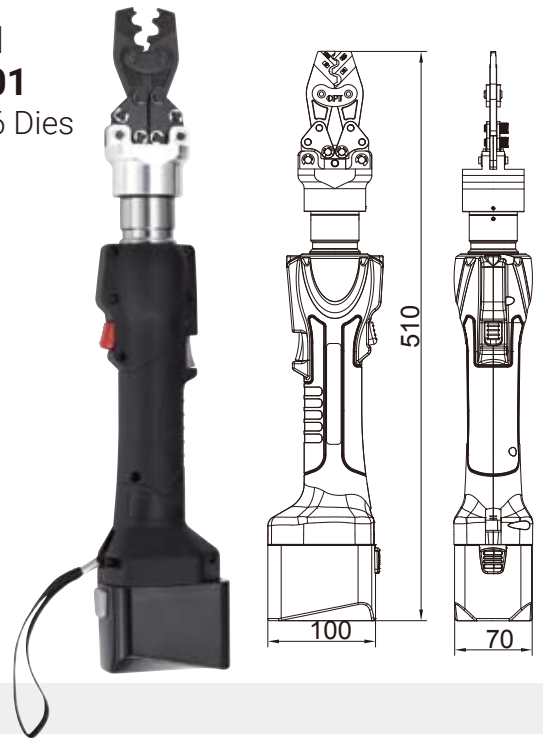
- Double-stage hydraulic for interchangeable dies
- 360 degree swivelling crimping head
- Easy operation & lighter
- Manual return flow after perfect pressure
- Different models for choice: 14.4V & 18V tools

**Application:** Non-insulated Terminal & Insulated Terminal  
Closed end Terminal & Wire ferrules end sleeves  
Crimping

- MEP-001** (With 14.4V Ni-MH / 3Ah Battery)
- MEPL-001** (With 14.4V Li-Ion / 3Ah Battery)
- MEPB-001** (With 18V Li-Ion / 1.5Ah Battery)
- MEPS-001** (With 18V Li-Ion / 1.5Ah Battery-Sensor)

Outputs: 2 Tons  
Opening/Hub: 9mm  
Pressing Time: 2 Seconds  
Standard Dies: DIES(KH16)  
Battery Charging Time: 90 Minutes(MEP-001)  
60 Minutes(MEPL-001)  
30 Minutes(MEPB-001 & MEPS-001)  
Weight without Battery: About 2.3 kgs  
Tool Dimension: Check the dimension drawings  
Optional Dies: DIES(KH16) & DIES(KH16D) & DIES(KH22)  
DIES(HX25B) & DIES(HX25D) & DIES(KH16A)  
More special dies under your request.

**MEP-001  
MEPL-001**  
with KH-16 Dies

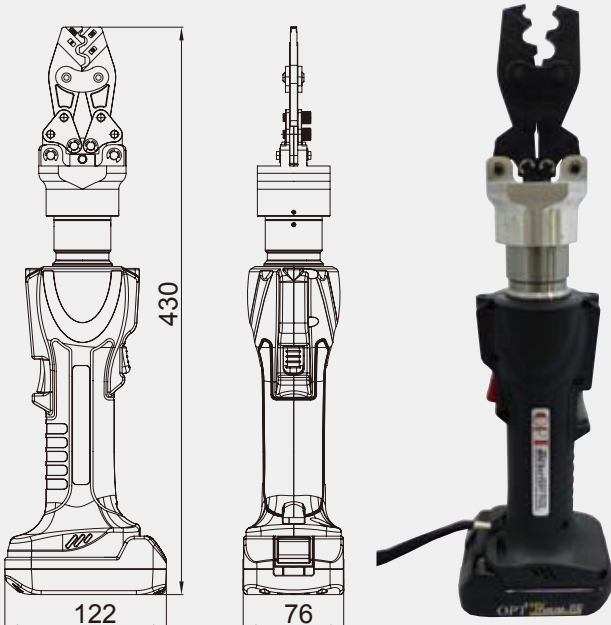


**+ TRY NEW SENSOR**

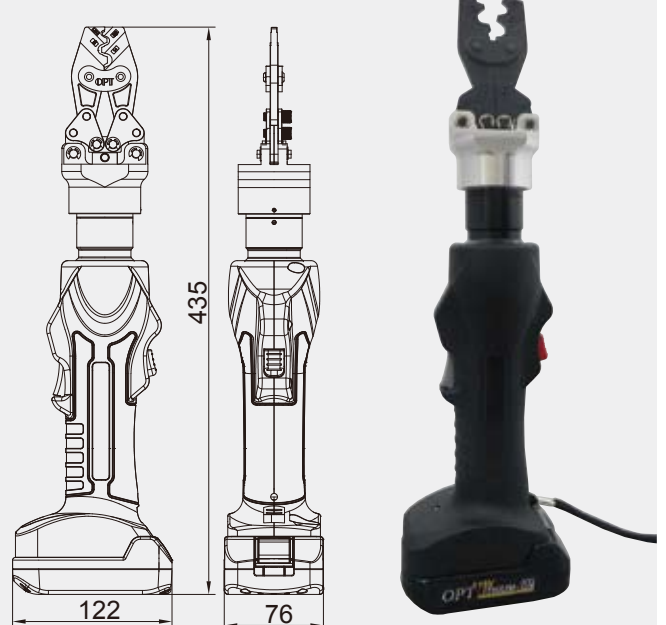
**What's new on sensor system?**

- LED working light
- Smart Advice System
- MEPS-001 could work with smart optional accessory TA-21 which could get the record of Crimping Time/ Battery Voltage/ Pressure/ Temperature/ Tool No./ Power Source and so on

**MEPB-001** with KH-16 Dies



**MEPS-001** with KH-16 Dies





**Feature:**

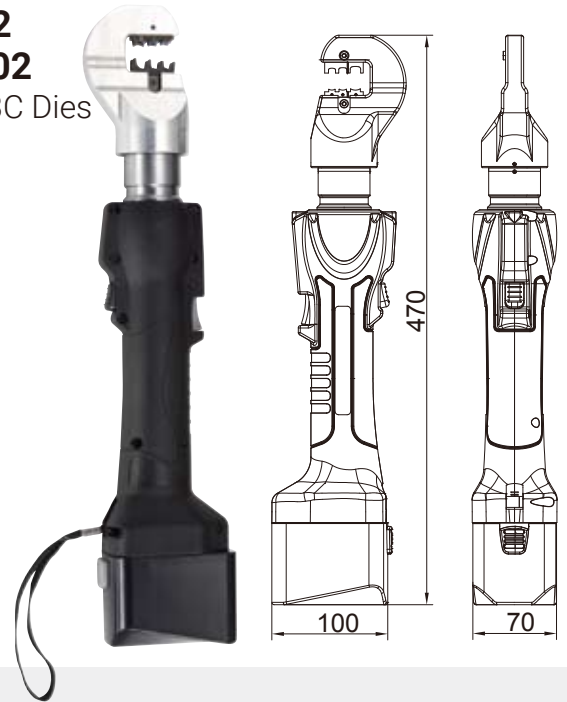
- Double-stage hydraulic for interchangeable dies
- 360 degree swivelling crimping head
- Easy operation & lighter
- Manual return flow after perfect pressure
- Different models for choice: 14.4V & 18V tools

**Application:** Non-insulated Terminal & Insulated Terminal  
Closed end Terminal & Wire ferrules end sleeves  
Crimping

- MEP-002** (With 14.4V Ni-MH / 3Ah Battery)
- MEPL-002** (With 14.4V Li-Ion / 3Ah Battery)
- MEPB-002** (With 18V Li-Ion / 1.5Ah Battery)
- MEPS-002** (With 18V Li-Ion / 1.5Ah Battery-Sensor)

Outputs: 2 Tons  
Opening/Hub: 9mm  
Pressing Time: 2 Seconds  
Standard Dies: DIES(LY03C)  
Battery Charging Time: 90 Minutes(MEP-002)  
60 Minutes(MEPL-002)  
30 Minutes(MEPB-002 & MEPS-002)  
Weight without Battery: About 2.2kgs  
Tool Dimension: Check the dimension drawings  
Optional Dies: DIES(LY03C) & DIES(LY10) & DIES(LY16WF)  
DIES(LY03B) & DIES(LY02H)  
More special dies under your request.

**MEP-002  
MEPL-002**  
with LY-03C Dies

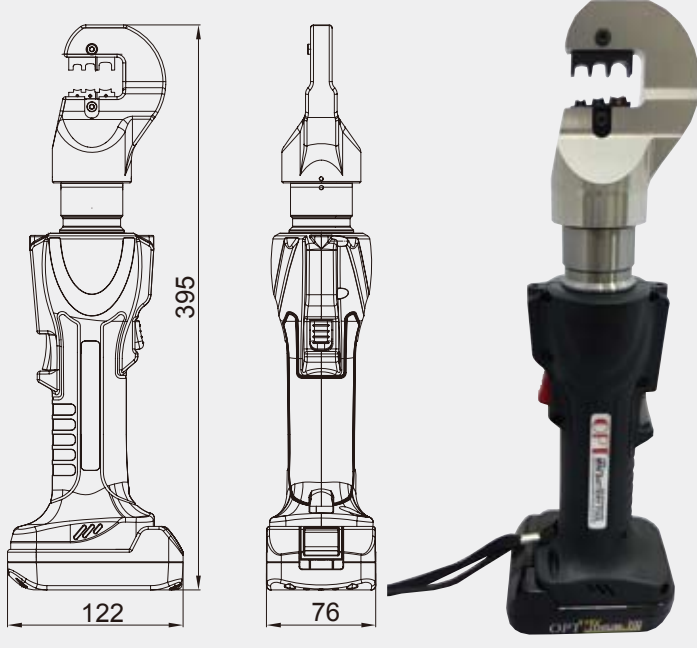


**+ TRY NEW SENSOR**

**What's new on sensor system?**

- LED working light
- Smart Advice System
- MEPS-002 could work with smart optional accessory TA-21 which could get the record of Crimping Time/ Battery Voltage/ Pressure/ Temperature/ Tool No./ Power Source and so on

**MEPB-002** with LY-03C Dies



**MEPS-002** with LY-03C Dies



**Feature:**

- Double-stage hydraulic for interchangeable dies
- 180 degree swivelling crimping head
- Easy operation & lighter
- Manual return flow after perfect pressure
- Different models for choice: 14.4V & 18V tools

**Application:** Non-insulated Terminal & Insulated Terminal  
Closed end Terminal & Wire ferrules end sleeves  
Crimping

- MEP-003** (With 14.4V Ni-MH / 3Ah Battery)
- MEPL-003** (With 14.4V Li-Ion / 3Ah Battery)
- MEPB-003** (With 18V Li-Ion / 1.5Ah Battery)
- MEPS-003** (With 18V Li-Ion / 1.5Ah Battery-Sensor)

Outputs: 2 Tons  
Opening/Hub: 9mm  
Pressing Time: 2 Seconds  
Standard Dies: DIES(LY03C)  
Battery Charging Time: 90 Minutes(MEP-003)  
60 Minutes(MEPL-003)  
30 Minutes(MEPB-003 & MEPS-003)  
Weight without Battery: About 2.3kgs  
Tool Dimension: Check the dimension drawings  
Optional Dies: DIES(LY03C) & DIES(LY10) & DIES(LY16WF)  
DIES(LY03B) & DIES(LY02H)  
More special dies under your request.

**MEP-003  
MEPL-003**  
with LY-03C Dies

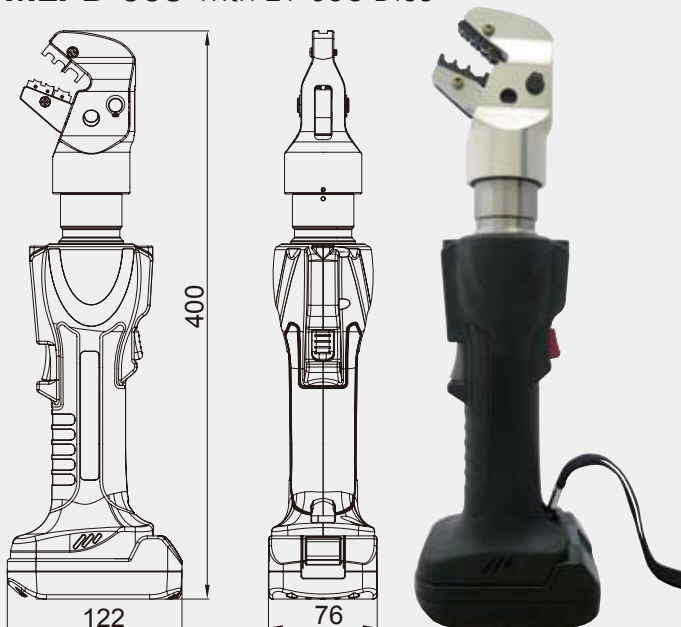


**+ TRY NEW SENSOR**

**What's new on sensor system?**

- LED working light
- Smart Advice System
- MEPS-003 could work with smart optional accessory TA-21 which could get the record of Crimping Time/ Battery Voltage/ Pressure/ Temperature/ Tool No./ Power Source and so on

**MEPB-003** with LY-03C Dies



**MEPS-003** with LY-03C Dies



**Feature:**

- Double-stage hydraulic for interchangeable dies
- 180 degree swivelling crimping head
- Easy operation & lighter
- Manual return flow after perfect pressure
- Different models for choice: 14.4V & 18V tools

**Application:** PEX pipe & Steel Pipe  
Tube Pressing & Plumbing

**MNWS-1** (With 14.4V Ni-MH / 3Ah Battery)

**MNWSL-1** (With 14.4V Li-Ion / 3Ah Battery)

**MNWSB-1** (With 18V Li-Ion / 1.5Ah Battery)

**MNWSS-1** (With 18V Li-Ion / 1.5Ah Battery-Sensor)

Outputs: 4 Tons

Battery Charging Time: 90 Minutes(MNWS-1)

60 Minutes(MNWSL-1)

30 Minutes(MNWSB-1 & MNWSS-1)

Weight without Battery: About 2.3kgs

Tool Dimension: Check the dimension drawings

Pressing Dies: (Dies need to be extra purchased!)

**DWP Type - For PEX-Pipe & PB Ring Pressing**

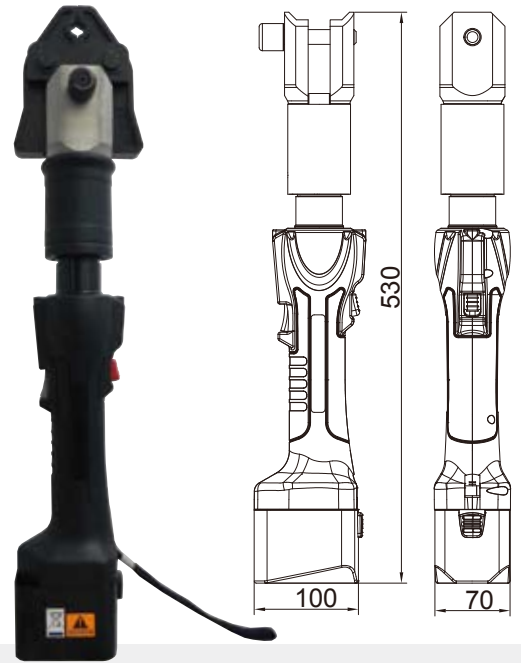
DWP13 Dia. 1/2" DWP19 Dia. 3/4" DWP25 Dia. 1"

**WLS Type - For Copper & Stainless Steel Alloy Pipe Pressing**

WLS13 Dia. 1/2" WLS20 Dia. 3/4"

WLS25 Dia. 1" WLS30 Dia. 1-1/4"

**MNWS-1  
MNWSL-1**

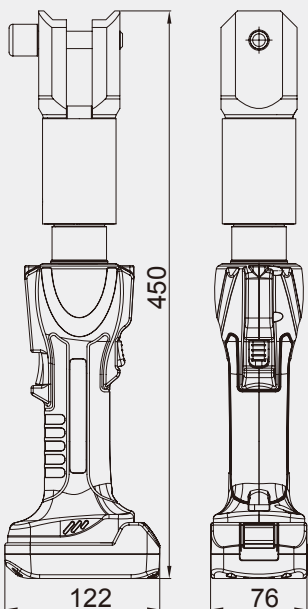


**+ TRY NEW SENSOR**

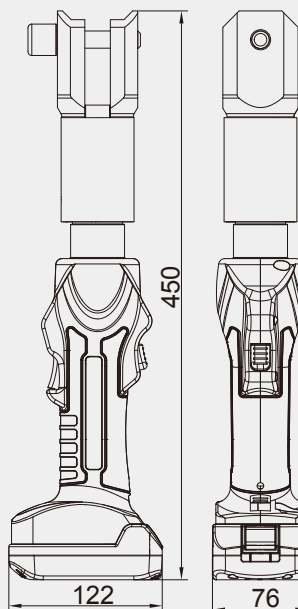
**What's new on sensor system?**

- LED working light
- Smart Advice System
- MNWSS-1 could work with smart optional accessory TA-21 which could get the record of Crimping Time/ Battery Voltage/ Pressure/ Temperature/ Tool No./ Power Source and so on

**MNWSB-1**



**MNWSS-1**



**Feature:**

- Double-stage hydraulic for cutting
- 180 degree swivelling crimping head
- Easy operation & lighter
- Manual return flow after perfect pressure
- Different models for choice: 14.4V & 18V tools

**Application:** Cutting

Wire Rope(Hemp Core)6x7  
Soft Steel Round Bar(Below SS41)  
Max. O.D. 16mm



Wire Rope(Hemp Core)6x12 & 6x19  
Soft Copper & Aluminum Round Bar  
Bare Copper & Aluminum Wire Strand  
Telephone Copper & Aluminum Cable(CCP)  
Lead Sheathed Cable  
Armored Underground Cable  
Max. O.D. 20mm



- MEC-S20** (With 14.4V Ni-MH / 3Ah Battery)
- MECL-S20**(With 14.4V Li-Ion / 3Ah Battery)
- MECB-S20** (With 18V Li-Ion / 1.5Ah Battery)
- MECS-S20** (With 18V Li-Ion / 1.5Ah Battery-Sensor)

**Do not cut any Rebar or ACSR or Big Strand**



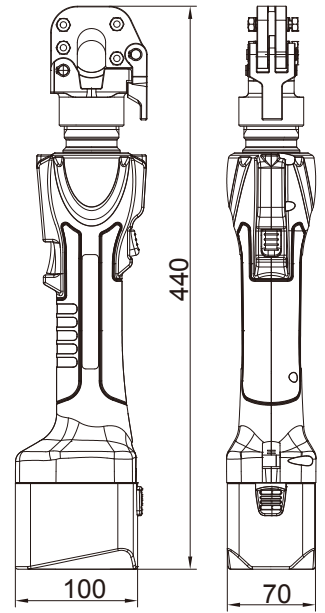
Outputs: 6 Tons

Battery Charging Time: 90 Minutes(MEC-S20)  
60 Minutes(MECL-S20)  
30 Minutes(MECB-S20 & MECS-S20)

Weight without Battery: About 2.6kgs

Tool Dimension: Check the dimension drawings

**MEC-S20  
MECL-S20**

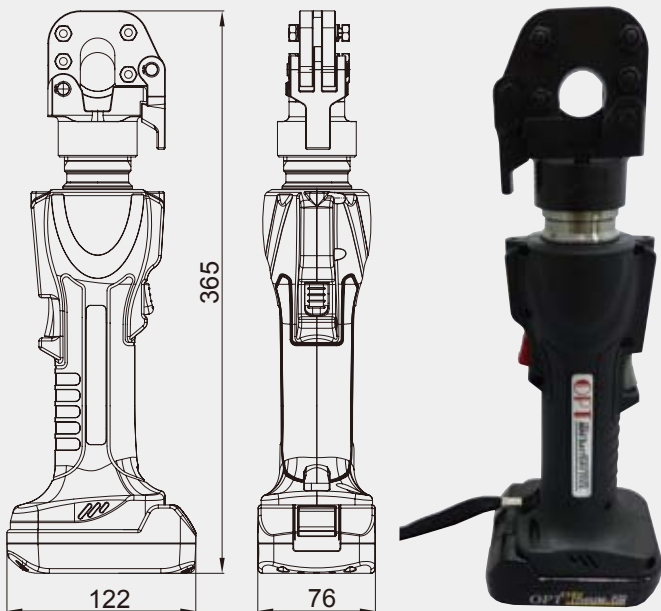


**+ TRY NEW SENSOR**

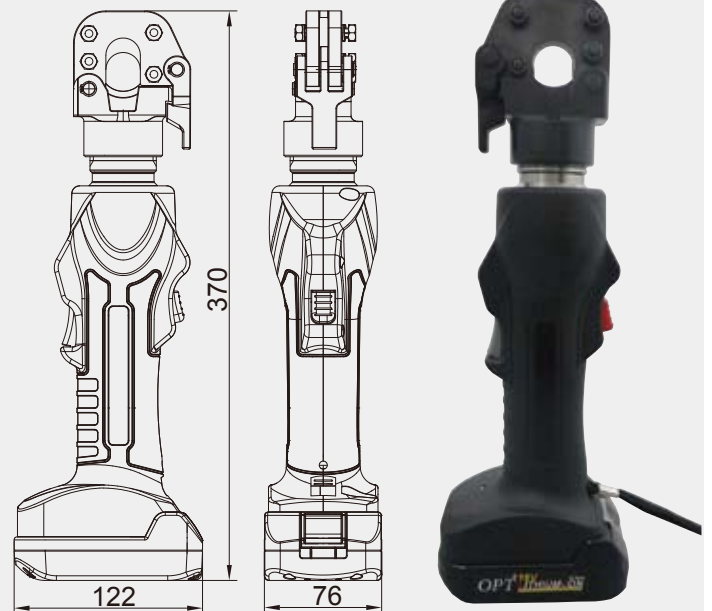
**What's new on sensor system?**

- LED working light
- Smart Advice System
- MECS-S20 could work with smart optional accessory TA-21 which could get the record of Crimping Time/ Battery Voltage/ Pressure/ Temperature/ Tool No./ Power Source and so on

**MECB-S20**



**MECS-S20**



**Feature:**

- Double-stage hydraulic for cutting
- 180 degree swivelling crimping head
- Easy operation & lighter
- Manual return flow after perfect pressure
- Different models for choice: 14.4V & 18V tools

**Application:** Cutting

Bare Copper & Aluminum Wire Strand  
Max. O.D. 28mm

Telephone Copper & Aluminum Cable(CCP)  
Lead Sheathed Cable  
Underground Cable  
Max. O.D. 30mm



**Do not cut any Rebar or ACSR or Big Strand or Wire Rope or Round Bar or Armored Cable**

- MEC-S32** (With 14.4V Ni-MH / 3Ah Battery)
- MECL-S32**(With 14.4V Li-Ion / 3Ah Battery)
- MECB-S32** (With 18V Li-Ion / 1.5Ah Battery)
- MECS-S32** (With 18V Li-Ion / 1.5Ah Battery-Sensor)

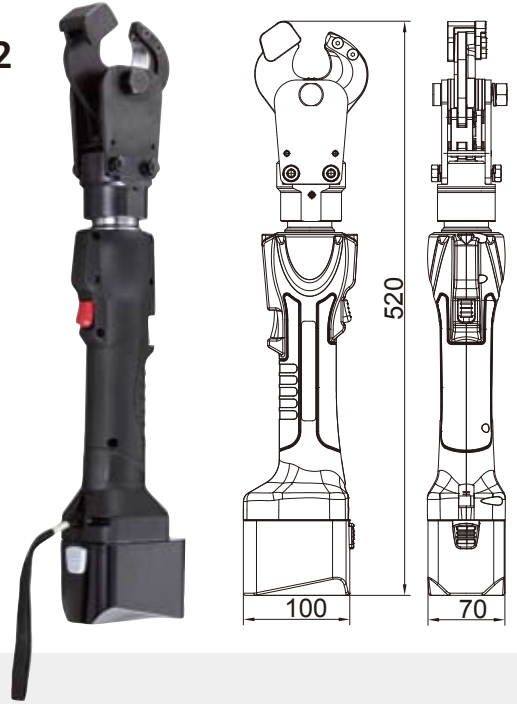
Outputs: 6 Tons

Battery Charging Time: 90 Minutes(MEC-S32)  
60 Minutes(MECL-S32)  
30 Minutes(MECB-S32 & MECS-S32)

Weight without Battery: About 3.5kgs

Tool Dimension: Check the dimension drawings

**MEC-S32  
MECL-S32**

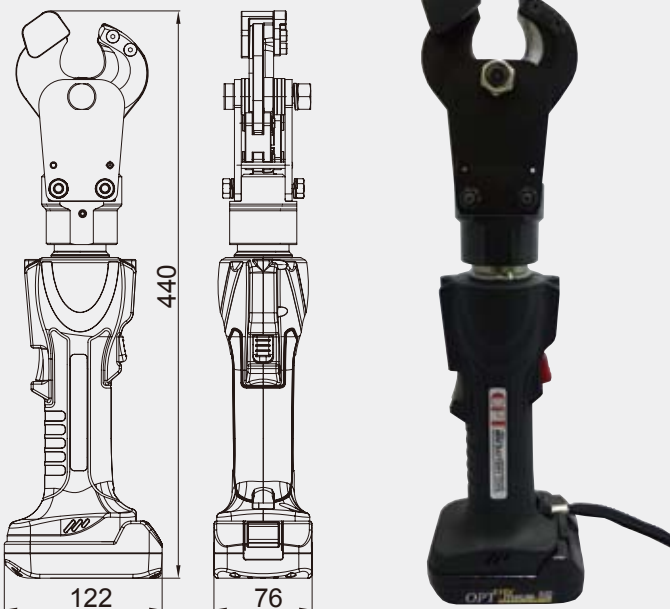


**+ TRY NEW SENSOR**

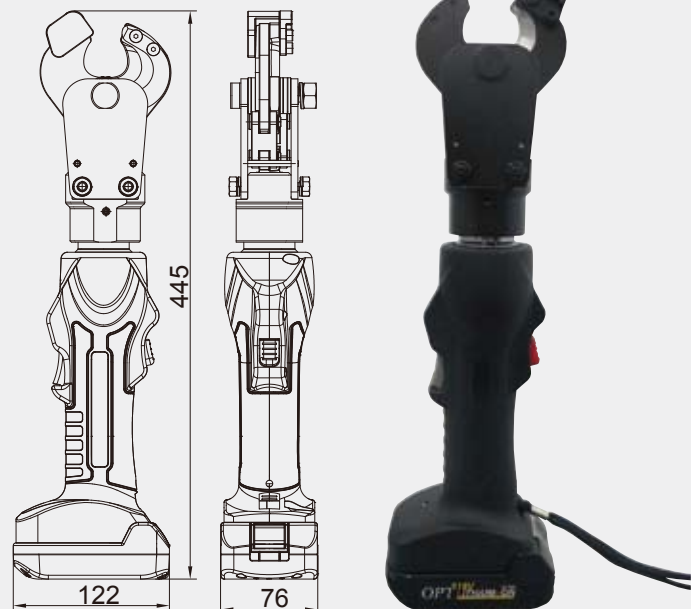
*What's new on sensor system?*

- LED working light
- Smart Advice System
- MECS-S32 could work with smart optional accessory TA-21 which could get the record of Crimping Time/ Battery Voltage/ Pressure/ Temperature/ Tool No./ Power Source and so on

**MECB-S32**



**MECS-S32**



**Feature:**

- Double-stage hydraulic for cutting
- 360 degree swivelling cutting head
- Easy operation & lighter
- Manual return flow after perfect pressure
- Different models for choice: 14.4V & 18V tools

**Application:** Cutting

Copper & Aluminum Cable  
Max. O.D. 32mm/300mm<sup>2</sup> / 600MCM



**Do not cut any Rebar or ACSR or Strand or Wire Rope or Round Bar or Armored Cable**



- MEC-32Y** (With 14.4V Ni-MH / 3Ah Battery)
- MECL-32Y** (With 14.4V Li-Ion / 3Ah Battery)
- MECB-32Y** (With 18V Li-Ion / 1.5Ah Battery)
- MECS-32Y** (With 18V Li-Ion / 1.5Ah Battery-Sensor)

Outputs: 6 Tons

Battery Charging Time: 90 Minutes(MEC-32Y)  
60 Minutes(MECL-32Y)  
30 Minutes(MECB-32Y & MECS-32Y)

Weight without Battery: About 2.9kgs

Tool Dimension: Check the dimension drawings

**MEC-32Y  
MECL-32Y**

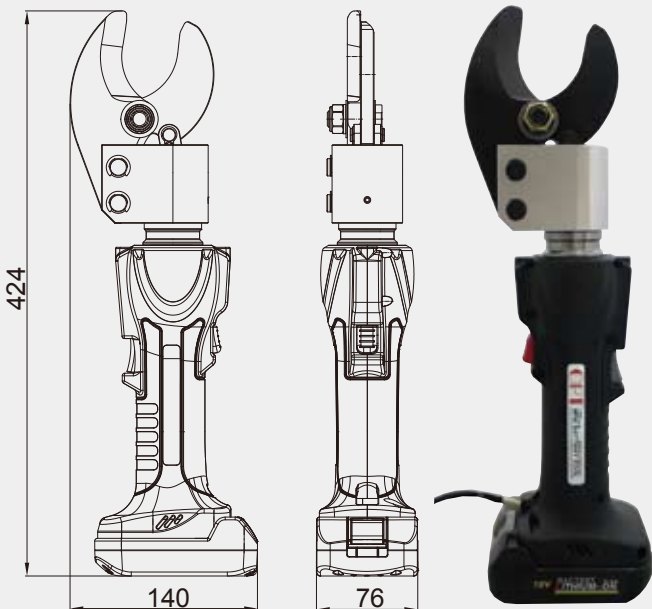


**+ TRY NEW SENSOR**

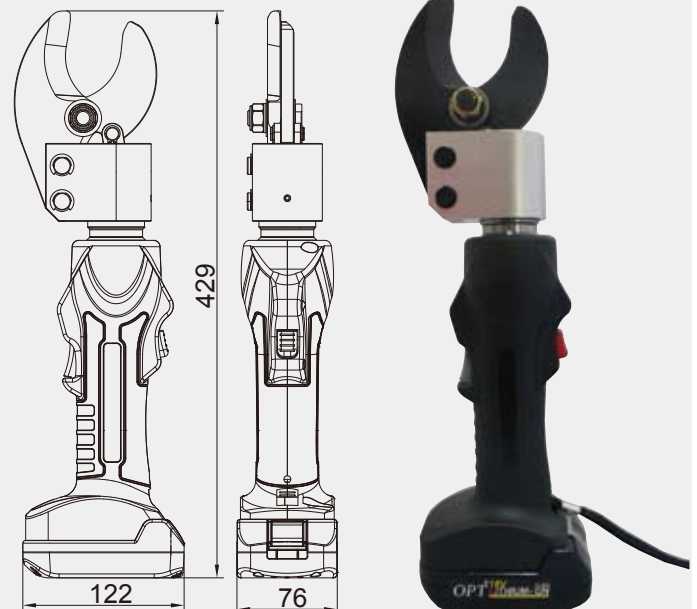
**What's new on sensor system?**

- LED working light
- Smart Advice System
- MECS-32Y could work with smart optional accessory TA-21 which could get the record of Crimping Time/ Battery Voltage/ Pressure/ Temperature/ Tool No./ Power Source and so on

**MECB-32Y**



**MECS-32Y**



**Feature:**

- Double-stage hydraulic for punching
- 360 degree swivelling punching head
- Easy operation & lighter
- Manual return flow after perfect pressure
- Different models for choice: 14.4V & 18V tools

**Application:** Punching

Stainless Steel Plate

Max. Thickness 1.6mm(Gauge 16)

Galvannealed Steel Plate

Max. Thickness 3.2mm(Gauge 11)

**MNP-8** (With 14.4V Ni-MH / 3Ah Battery)

**MNPL-8**(With 14.4V Li-Ion / 3Ah Battery)

**MNPB-8** (With 18V Li-Ion / 1.5Ah Battery)

**MNPS-8** (With 18V Li-Ion / 1.5Ah Battery-Sensor)

Outputs: 6 Tons

Standard Punch Dies: 1/2"-2"

Dia. 1/2" (21.8mm) & Dia. 3/4" (27.6mm) & Dia. 1" (34.1mm)

Dia. 1-1/4" (42.7mm) & Dia. 1-1/2" (48.7mm) & Dia. 2" (60.2mm)

Battery Charging Time: 90 Minutes(MNP-8)

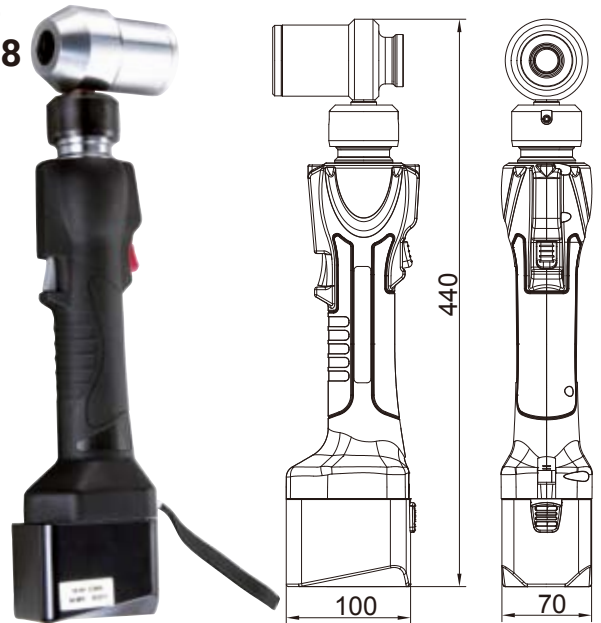
60 Minutes(MNPL-8)

30 Minutes(MNPB-8 & MNPS-8)

Weight without Battery: About 3.1kgs

Tool Dimension: Check the dimension drawings

**MNP-8  
MNPL-8**

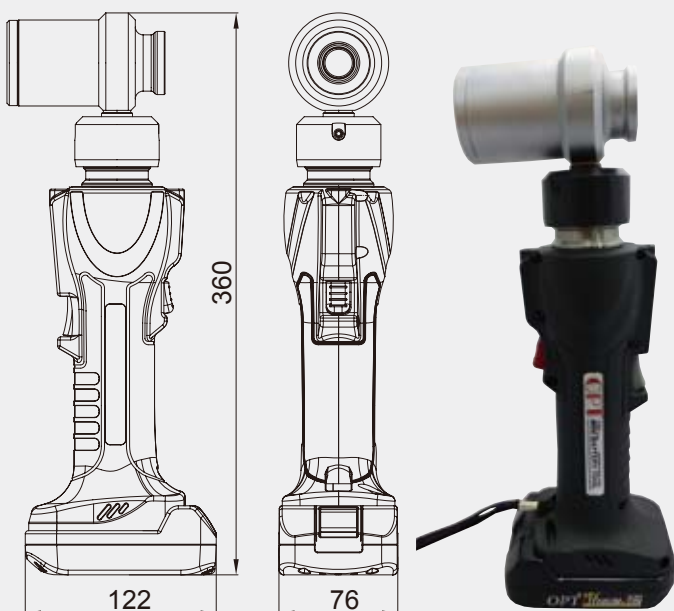


**+ TRY NEW SENSOR**

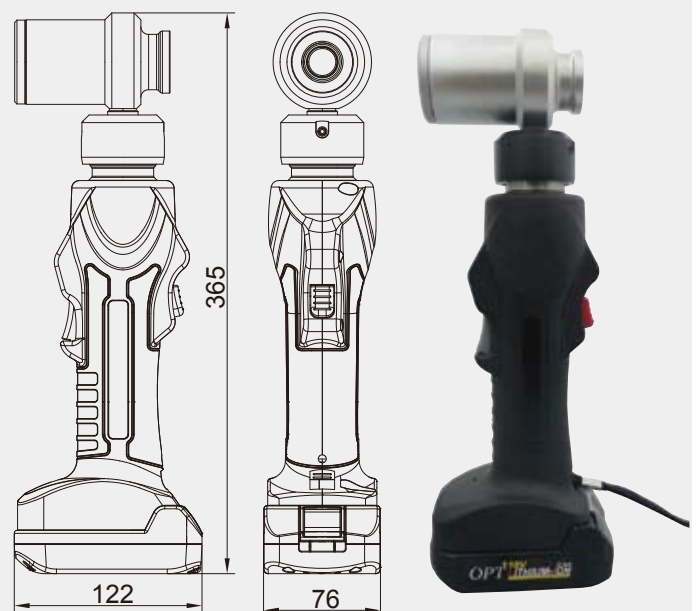
**What's new on sensor system?**

- LED working light
- Smart Advice System
- MNPS-8 could work with smart optional accessory TA-21 which could get the record of Crimping Time/ Battery Voltage/ Pressure/ Temperature/ Tool No./ Power Source and so on

**MNPB-8**



**MNPS-8**



## B-05



### 14.4V Li-Ion Battery

Charging Time: 60 Minutes  
 Output: DC 14.4V  
 Capacity: 3Ah  
 Weight: 0.55kg  
 Dimension: 100(L)x70(W)x140(H)mm

## B-04



## B-06



### 18V Li-Ion Battery

Charging Time: 60 Minutes (B-04), 30 Minutes (B-06)  
 Output: DC 18V  
 Capacity: 3Ah (B-04) & 1.5Ah (B-06)  
 Weight: 0.65kg (B-04) & 0.38kg (B-06)  
 Dimension: 122(L)x75(W)x69(H)mm (B-04)  
 122(L)x75(W)x50(H)mm (B-06)

## B-02



### 14.4V Ni-MH Battery

Charging Time: 90 Minutes  
 Output: DC 14.4V  
 Capacity: 3Ah  
 Weight: 0.86kg  
 Dimension: 100(L)x70(W)x140(H)mm

## CH-07



### 18V Li-Ion Battery Charger (For B-04 & B-06 use)

Input: AC 100-240V  
 Output: DC 18V  
 Weight: 0.4kg  
 Dimension: 175(L)x90(W)x80(H)mm (With Transformer)

## CH-06 (Version: 2015)



### 14.4V Ni-MH & Li-Ion Battery Charger (For B-05 & B-02 use)

Input: AC 100-240V  
 Output: DC 14.4V  
 Weight: 0.8kg  
 Dimension: 180(L)x136(W)x88(H)mm

## TA-21



### Recorder for MEPS & MECS & MNPS & MNWSS Battery Tools with Sensor System

Function: Showing the record of Sensor  
 Like crimping times & pressure and other details  
 Weight: 0.38kg  
 Dimension: 146(L)x150(W)x40(H)mm