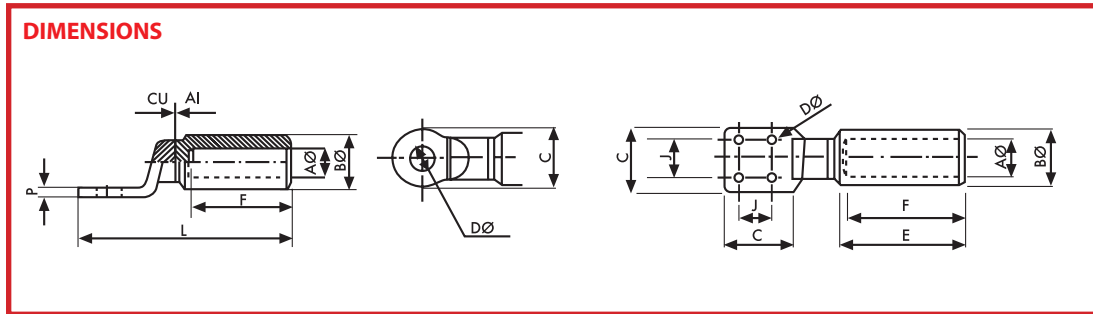


Stone-Stamcor
bringing power to your product

Bi-Metallic/Torque Shear lugs and ferrules

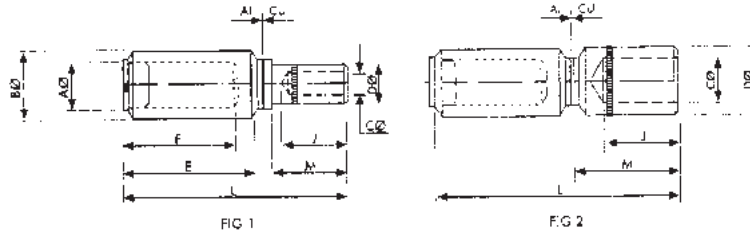



TABLE 1B - BIMETALLIC CRIMPING LUGS


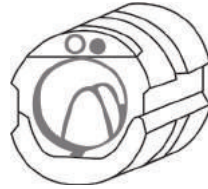
SECTION mm ²	REFERENCE	DIMENSIONS mm								
		AØ	BØ	C	DØ	E	F	J	L	P
16	Y4A16A105C	5.5	16.0	20.0	10.5	47.5	43.0	-	80.0	4.5
25	Y4A25A105C	6.5								
35	Y4A35A128C	8.0								
50	Y4A50A128C	9.0	20.0	25.0	12.8	-	-	86.0	5.0	
70	Y4A70A128C	11.0								
95	Y4A95A128C	12.5	25.0	30.0	-	64.0	59.0	-	112.0	6.0
120	Y4A120A128C	13.7								
150	Y4A150A128C	15.5								
185	Y4A185A128C	17.0	32.0	-	-	-	-	114.0	-	
240	Y4A240A128C	19.5								
300	Y4A300A165C	23.3	40.0	36.0	16.5	100.0	93.0	-	158.0	7.0
400	Y4A400A165C	26.0								
500	Y4A500A490C	29.1	47.0	60 X 60	4 X 9.0	101.0	94.0	30 X 30	200.0	10.0
630	Y4A630A490C	32.5								
800	Y4A800A4110C	37.5	60.0	80 X 80	4 X 11.0	136.0	125.0	40 X 40	270.0	
1000	Y4A1000A4110C	42.0								
1200	Y4A1200A4110C	45.5	65.0	-	-	146.5	136.0	-	-	

TABLE 2B - COMPRESSION DIES FOR BIMETALLIC LUGS

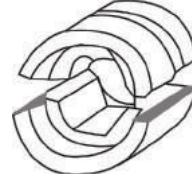
SECTION mm ²	REFERENCE	HYDRAULIC COMPRESSION TOOLING		PRE ROUNDING	DEEP INDENT	HEXAGON
16	Y4A16A105C	Y35	TP400B / TP400H	-	U35AOE	U140BGE4T (95)
25	Y4A25A105C					
35	Y4A35A128C					
50	Y4A50A128C					
70	Y4A70A128C					
95	Y4A95A128C					
120	Y4A120A128C	Y60BHU / C0800	TP630H	U50PRGE3T	U95A1E	U173BGE4T (150)
150	Y4A150A128C			U70PRGE3T		
185	Y4A185A128C			U95PRGE3T		
240	Y4A240A128C			U120PRGE3T	U150A2E	U215BGE5T (240)
300	Y4A300A165C			U150PRGE3T		
400	Y4A400A165C			-	-	U185PRGE3T
500	Y4A500A490C	U240PRGE3T				
630	Y4A630A490C	U300PRGE3T	U300A34N			-


TABLE 3B - BIMETALIC COMPRESSION FERRULES
DIMENSIONS


SECTION mm ²		REFERENCE	FIG.	DIMENSIONS												
AL	CU			AØ	BØ	CØ	DØ	E	F	J	M	L				
25	16	Y4RP25SA16C	2	6.5	16.0	5.6	12.2	47.5	43.0	29.5	34.5	87.0				
	25	Y4RP25SA25C				7.0										
35	16	Y4RP35SA16C	2	8.0	16.0	5.6	12.2	47.5	43.0	29.5	34.5	87.0				
	25	Y4RP35SA25C				7.0										
	35	Y4RP35SA35C				8.0										
50	16	Y4RP50SA16C	1	9.0	20.0	5.6	12.2	47.5	43.0	29.5	33.0	87.0				
	25	Y4RP50SA25C				7.0										
	35	Y4RP50SA35C				8.0										
	50	Y4RP50SA50C				9.5										
70	16	Y4RP70SA16C	1	11.0	20.0	5.6	12.2	47.5	43.0	29.5	33.0	87.0				
	25	Y4RP70SA25C				7.0										
	35	Y4RP70SA35C	8.0													
	50	Y4RP70SA50C	9.5													
	70	Y4RP70SA70C	2			11.0							21.0	33.5	38.5	91.0
95	35	Y4RP95SA35C	1	12.5	25.0	8.0	12.2	47.5	43.0	29.5	33.0	87.0				
	50	Y4RP95SA50C				9.5										
	70	Y4RP95SA70C	2			11.0							21.0	33.5	38.5	91.0
	95	Y4RP95SA95C				13.0										
120	35	Y4RP120SA35C	1	13.7	25.0	8.0	12.2	47.5	43.0	29.5	33.0	104.0				
	50	Y4RP120SA50C				9.5										
	70	Y4RP120SA70C	2			11.0							21.0	33.5	38.5	108.0
	95	Y4RP120SA95C				13.0										
	120	Y4RP120SA120C				14.2										
150	50	Y4RP150SA50C	1	15.5	25.0	9.5	12.2	47.5	43.0	29.5	33.0	104.0				
	70	Y4RP150SA70C				11.0										
	95	Y4RP150SA95C	2			13.0							21.0	33.5	38.5	108.0
	120	Y4RP150SA120C				14.2										
	150	Y4RP150SA150C				16.0										
185	70	Y4RP185SA70C	1	17.0	32.0	11.0	21.0	64.0	59.0	33.5	37.0	108.0				
	95	Y4RP185SA95C				13.0										
	120	Y4RP185SA120C				14.2										
	150	Y4RP185SA150C				16.0										
	185	Y4RP185SA185C	2			18.0					26.2	43.5	49.0	120.0		
240	95	Y4RP240SA95C	1	19.5	32.0	13.0	21.0	64.0	59.0	33.5	37.0	108.0				
	120	Y4RP240SA120C				14.2										
	150	Y4RP240SA150C				16.0										
	185	Y4RP240SA185C				18.0							26.2	43.5	49.0	120.0
	240	Y4RP240SA240C	2			20.0										


TABLE 4B - COMPRESSION DIES FOR FERRULES
DIMENSIONS


DEEP INDENT



HEXAGON

SECTION mm ²		REFERENCE	ALUMINIUM		COPPER HEXAGON			
AL	CU		DEEP INDENT	HEXAGON				
25	16	Y4RP25SA16C	U35AOE	U140BGE4T (95)	BU/1060 (50mm Die)			
	25	Y4RP25SA25C						
35	16	Y4RP35SA16C						
	25	Y4RP35SA25C						
	35	Y4RP35SA35C						
50	16	Y4RP50SA16C				U95A1E	U173BGE4T (150)	BU/0980 (150mm Die)
	25	Y4RP50SA25C						
	35	Y4RP50SA35C						
	50	Y4RP50SA50C						
70	16	Y4RP70SA16C						
	25	Y4RP70SA25C						
	35	Y4RP70SA35C						
	50	Y4RP70SA50C						
	70	Y4RP70SA70C						
95	35	Y4RP95SA35C						
	50	Y4RP95SA50C						
	70	Y4RP95SA70C						
	95	Y4RP95SA95C						
120	35	Y4RP120SA35C	U150A2E	U215BGE5T (240)	BU/1060 (50mm Die)			
	50	Y4RP120SA50C						
	70	Y4RP120SA70C						
	95	Y4RP120SA95C						
	120	Y4RP120SA120C						
150	50	Y4RP150SA50C						
	70	Y4RP150SA70C						
	95	Y4RP150SA95C						
	120	Y4RP150SA120C						
	150	Y4RP150SA150C						
185	70	Y4RP185SA70C				U240A4E	U280BGE4T (400)	BU/0980 (150mm Die)
	95	Y4RP185SA95C						
	120	Y4RP185SA120C						
	150	Y4RP185SA150C						
	185	Y4RP185SA185C						
240	95	Y4RP240SA95C						
	120	Y4RP240SA120C						
	150	Y4RP240SA150C						
	185	Y4RP240SA185C						
	240	Y4RP240SA240C						

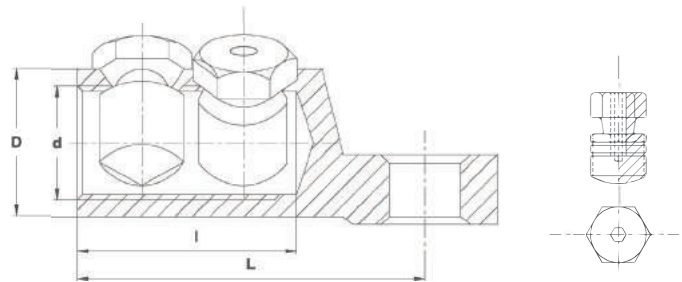


MECHANICAL SCREW LUG FOR APPLICATION UP TO 36 KV



ML 36- 16-95 x 12

Palm hole, mm
Cross section, mm²
Maximal voltage, kV
Mechanical screw lug



Type	Cross-section Al (mm ²)				Cross-section Cu (mm ²)		Dimensions, (mm)			
	Round Solid Cable	Round Stranded Cable	Sector Solid Cable	Sector Stranded Cable	Round Stranded Cable	Sector Stranded Cable	L	l	d	D
ML36-16-95x...	16-95	16-95	16-95	25-70	16-70	25-70	60	32	12.5	24
ML36-50-150x...	50-150	50-150	50-150	50-120	50-120	50-120	79	35	15.5	30
ML36-95-240x...	95-240	95-240	95-240	95-185	95-185	95-185	95	56	20.0	33
ML36-120-300x...	120-300	120-300	120-300	120-240	120-300	120-240	100	67	25.0	38
ML36-185-400x...	185-400	185-400	185-400	185-300	185-400	185-300	115	79	26.0	42
ML36-400-630x...	400-630	400-630	400-630	400-500	400-500	400-500	130	94	34.0	52

Conforms to IEC61238-1

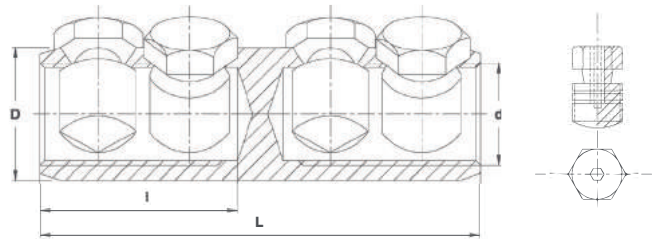


MECHANICAL SCREW CONNECTOR FOR APPLICATION UP TO 36 KV



MC 36- 16-95

— Cross section, mm²
 — Maximal voltage, kV
 — Mechanical screw connector



Type	Cross-section Al (mm ²)				Cross-section (mm ²)		Dimensions, (mm)			
	Round Solid Cable	Round Stranded Cable	Sector Solid Cable	Sector Stranded Cable	Round Stranded Cable	Sector Stranded Cable	L	l	d	D
MC36-16-95	16-95	16-95	16-95	25-70	16-70	25-70	70	32	12.5	24
MC36-50-150	50-150	50-150	50-150	50-120	50-120	50-120	85	35	15.5	30
MC36-95-240	95-240	95-240	95-240	95-185	95-185	95-185	120	56	20.0	33
MC36-120-300	120-300	120-300	120-300	120-240	120-300	120-240	142	67	25.0	38
MC36-185-400	185-400	185-400	185-400	185-300	185-400	185-300	170	82	26.0	42
MC36-400-630	400-630	400-630	400-630	400-500	400-500	400-500	200	94	34.0	54

Conforms to IEC61238-1