

HYDRAULIC CRIMPING TOOL

CO-400U With [indent dies](#)
CO-400H With [hexagon dies](#)



General Specification	
Application	Non-insulated Terminal Crimping
Output	20 Tons
Weight	7.8 Kgs
Length	230mm

Model No.	Crimping Range		
	JIS mm ²	DIN mm ²	AWG/MCM
CO-400U	8-325	16-400	#6-750
With Male & Female Dies 16-25 35-50 70-120 150-240 300-400			
CO-400H	70-325	70-400	2/0-750
With Dies 70 95 120 150 180 240 300 400			

CO-500



General Specification	
Application	Non-insulated Terminal Crimping
Output	20 Tons
Weight	7.8 Kgs
Length	230mm

Model No.	Crimping Range		
	JIS mm ²	DIN mm ²	AWG/MCM
CO-500	70-500	70-500	2/0-1000
With Dies 70 95 120 150 180 240 300 400 500			

CO-630 CO-800



General Specification	
Application	Distribution & Transmission Line Crimping
Output	30 Tons
Weight	16 Kgs
Length	360mm

Model No.	Crimping Range		
	JIS mm ²	DIN mm ²	AWG/MCM
CO-630	70-630	70-630	2/0-1200
With Dies 300 400 500 630			
CO-800	70-800	70-800	2/0-1500
With Dies 300 400 500 630 800			

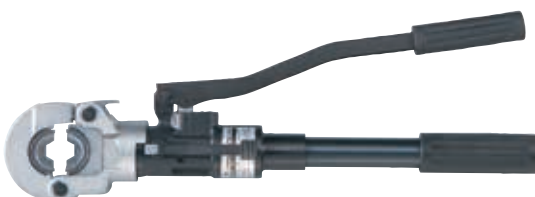
OP-1000



General Specification	
Application	Distribution & Transmission Line Crimping
Output	60 Tons
Weight	30.7 Kgs
Length	450mm

Model No.	Crimping Range		
	JIS mm ²	DIN mm ²	AWG/MCM
OP-1000	500-1000	500-1000	250-2000
With Dies 500 630 800 1000			

TP-22 With [360 degree swivel head & flip top closed design](#)



General Specification	
Application	Connector Crimping
Output	6 Tons
Weight	3.7 Kgs
Length	490mm

Model No.	Crimping Range		
	JIS mm ²	DIN mm ²	AWG/MCM
TP-22		10-300	8-600
With Dies 10 16 25 35 50 70 95 120 150 185 240 300			

TP-240 With fiberglass Handles



General Specification	
Application	Copper & Aluminum Connector Crimping
Output	12 Tons
C Jaw Opening	25mm
Weight	6.3 Kgs (TP-240) 3.6 Kgs (TP-240H)
Length	582mm (TP-240) 210mm (TP-240H)

TP-240H



Model No.	Crimping Range		
	JIS mm ²	DIN mm ²	AWG/MCM
TP-240 TP-240H	38-325	35-400	#2-750
With Dies 35 50 70 95 120 150 185 240 300 400			

TP-300 With fiberglass Handles



General Specification	
Application	Copper & Aluminum Connector Crimping
Output	12 Tons
C Jaw Opening	30mm
Weight	6.3 Kgs (TP-300) 4.0 Kgs (TP-300H)
Length	610mm (TP-300) 220mm (TP-300H)

TP-300H



Model No.	Crimping Range		
	JIS mm ²	DIN mm ²	AWG/MCM
TP-300 TP-300H	38-325	35-400	#2-750
With Dies 35 50 70 95 120 150 180 240 300 400			

TP-400 With fiberglass Handles

TP-420 With fiberglass Handles



General Specification	
Application	Copper & Aluminum Connector Crimping
Output	12 Tons
C Jaw Opening	38mm (TP-400 & TP-400H) 42mm (TP-420 & TP-420H)
Weight	7.7 Kgs (TP-400) 4.8 Kgs (TP-400H) 8.2 Kgs (TP-420) 5.3 Kgs (TP-420H)
Length	636mm (TP-400) 245mm (TP-400H) 640mm (TP-420) 250mm (TP-420H)

TP-400H TP-420H



Model No.	Crimping Range		
	JIS mm ²	DIN mm ²	AWG/MCM
TP-400 TP-400H TP-420 TP-420H	38-325	35-400	#2-750
With Dies 35 50 70 95 120 150 180 240 300 400			

HYDRAULIC CRIMPING TOOL

TP-800H Below 400mm² dies need to use die-adaptor (AR-800)

General Specification	
Application	Distribution Line Crimping
Output	15 Tons
C Jaw Opening	50mm
Weight	7 Kgs
Length	300mm



Model No.	Crimping Range		
	JIS mm ²	DIN mm ²	AWG/MCM
TP-800H	38-630	35-630	#2-1500
With Dies 35 50 70 95 120 150 180 240 300 400 500 630 & With Adaptor AR-800			

TP-900H Below 400mm² dies need to use die-adaptor (AR-900)

General Specification	
Application	Distribution Line Crimping
Output	15 Tons
C Jaw Opening	50mm
Weight	7.3 Kgs
Length	370mm



Model No.	Crimping Range		
	JIS mm ²	DIN mm ²	AWG/MCM
TP-900H	38-630	35-630	#2-1500
With Dies 35 50 70 95 120 150 180 240 300 400 500 630 & With Adaptor AR-900			

AR-630



Die Adaptor suitable for TP-600 & TP-630H

AR-800



Die Adaptor suitable for TP-800H

AR-900



Die Adaptor suitable for TP-900H

TP-600 Below 400mm² dies need to use die-adaptor (AR-630)

General Specification	
Application	Connector Crimping
Output	18 Tons
Weight	6.5 Kgs
Length	650mm



Model No.	Crimping Range		
	JIS mm ²	DIN mm ²	AWG/MCM
TP-600	38-630	35-630	2/0-1200
With Dies 35 50 70 95 120 150 185 240 300 400 500 630			



TP-630H Below 400mm² dies need to use die-adaptor (AR-630)

General Specification	
Application	Connector Crimping
Output	18 Tons
Weight	4.8 Kgs
Length	240mm



Model No.	Crimping Range		
	JIS mm ²	DIN mm ²	AWG/MCM
TP-630H	38-630	35-630	2/0-1200
With Dies 35 50 70 95 120 150 185 240 300 400 500 630			

TP-80



TP-80FR With fiberglass Handles



General Specification	
Application	Cable Lug Crimping
Output	8 Tons
Weight	3.4 Kgs (TP-80) 4.0 Kgs (TP-80FR)
Length	520mm (TP-80) 550mm (TP-80FR)



Model No.	Crimping Range		
	JIS mm ²	DIN mm ²	AWG/MCM
TP-80 TP-80FR	8-250	10-300	8-600
With Dies 10/16 25/35 50/70 95/120 150/185 240 300			

TP-325



TP-325H



General Specification	
Application	Non-insulated Terminal Crimping
Output	18 Tons
Weight	6.2 Kgs (TP-325) 3.6 Kgs (TP-325H)
Length	650mm (TP-325) 210mm (TP-325H)

Model No.	Crimping Range		
	JIS mm ²	DIN mm ²	AWG/MCM
TP-325 TP-325H	14-325	16-400	6-750
Male Dies(4pcs) 16 25-35 50-120 150-400 Female Dies(8pcs) 16-25 35-70 95-120 150 185 240 300 400			

TP-150D



General Specification	
Application	Non-insulated Terminal Crimping
Output	10 Tons
Weight	5.2 Kgs
Length	528mm

Model No.	Crimping Range		
	JIS mm ²	DIN mm ²	AWG/MCM
TP-150D	14-150	16-185	6-300
Male Dies(3pcs) 16-25 35-70 70-185 Female Dies(1pc) 16 25-35 50-60 70-120 150-185			

TP-210



TP-210H



General Specification	
Application	Non-insulated Terminal Crimping
Output	10 Tons
Weight	5.2 Kgs (TP-210) 3.0 Kgs (TP-210H)
Length	528mm (TP-210) 210mm (TP-210H)

Model No.	Crimping Range		
	JIS mm ²	DIN mm ²	AWG/MCM
TP-210 TP-210H	22-200	25-240	4-500
Male Dies(4pcs) 16-25 35-70 70-185 240 Female Dies(1pc) 25-35 50-70 95-120 150-185 240			

HYDRAULIC CRIMPING TOOL

THX-185 For non-insulated terminal
THX-185WF For wire ferrules & end sleeves

THX-185H



General Specification	
Application	Non-insulated Terminal Crimping
Output	6 Tons
Weight	2.0 Kgs (THX-185/THX-185WF) 1.4 Kgs (THX-185H)
Length	370mm (THX-185/THX-185WF) 220mm (THX-185H)

Model No.	Crimping Range		
	JIS mm ²	DIN mm ²	AWG/MCM
THX-185 THX-185H	8-150	10-185	8-350
With Dies 10/16 25/35 50/70 95/120 150 185			
THX-185WF		50-150	
With Dies 50/70 95/120 150			

THX-240

THX-240H

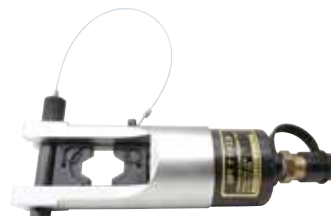


General Specification	
Application	Non-insulated Terminal Crimping
Output	6 Tons
Weight	2.2 Kgs (THX-240) 2.0 Kgs (THX-240H)
Length	400mm (THX-240) 230mm (THX-240H)

Model No.	Crimping Range		
	JIS mm ²	DIN mm ²	AWG/MCM
THX-240 THX-240H	8-240	10-240	8-500
With Dies 10/16 25/35 50/70 95/120 150 185 240			

THX-325 With hexagon dies

THX-325H With hexagon dies



General Specification	
Application	Non-insulated Terminal Crimping
Output	12 Tons
Weight	5.2 Kgs (THX-325) 3.0 Kgs (THX-325H)
Length	528mm (THX-325) 210mm (THX-325H)

Model No.	Crimping Range		
	JIS mm ²	DIN mm ²	AWG/MCM
THX-325 THX-325H	38-325	35-400	#2-750
With Dies 35 50 70 95 120 150 185 240 300 400			

TP-58A With hexagon dies



General Specification	
Application	Cable Lug Crimping
Output	8 Tons
C Jaw Opening	20mm
Weight	5.2 Kgs(TP-58A) 5.8 Kgs(TP-58FR)
Length	528mm(TP-58A) 558mm(TP-58FR)

TP-58FR With hexagon dies & fiberglass Handles



Model No.	Crimping Range		
	JIS mm ²	DIN mm ²	AWG/MCM
TP-58A TP-58FR	8-200	10-240	8-400
With Dies 10 16 25 35 50 70 95 120 150 185 240			

HYDRAULIC TOOL

TP-413



TP-413H



General Specification	
Application	Copper & Aluminum Connector Crimping
Output	12 Tons
Weight	6 Kgs (TP-413) 4 Kgs (TP-413H)
Length	610mm (TP-413) 245mm (TP-413H)

Model No.	Crimping Range	
	Hexagon Crimping	Indent Crimping
TP-413 & TP-413H	Max. 400mm ²	35-240mm ²
With AR-413 die adaptor & R30 type hexagon die Max. 400mm ² With AR-415 die adaptor & deep indent die 35/50 70/90mm ² With AR-416 die adaptor & deep indent die 120/150 185/240mm ²		

Dieless Hydraulic Crimping Tools

TP-6 With aluminum head & fiberglass Handles



TP-6N With insulated head & fiberglass Handles



TP-6H With aluminum head



Model No.	Crimping Range	
	DIN mm ²	AWG/MCM
TP-6 TP-6H TP-6N	10-240	8-500

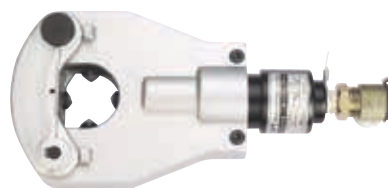
General Specification	
Output	6 Tons
NIBS Opening	32mm
Weight	5.0 Kgs (TP-6) 2.8 Kgs (TP-6H) 5.0 Kgs (TP-6N)
Length	600mm (TP-6) 270mm (TP-6H) 600mm (TP-6N)

HYDRAULIC CRIMPING TOOL

Dieless Hydraulic Crimping Tools

TP-8 With 180 degree swivel head & fiberglass Handles

TP-8H



General Specification	
Output	6 Tons
NIBS Opening	36mm
Weight	5.2 Kgs (TP-8) 3.0 Kgs (TP-8H)
Length	580mm (TP-8) 280mm (TP-8H)

Model No.	Crimping Range	
	DIN mm ²	AWG/MCM
TP-8	25-300	3-600
TP-8H		

Dieless Hydraulic Crimping Tools

HDL-500 With 180 degree swivel head & fiberglass Handles



General Specification	
Application	Copper & Aluminum Connector Crimping
Output	12 Tons
Weight	7.7 Kgs
Length	636mm

Model No.	Crimping Range	
	DIN mm ²	AWG/MCM
HDL-500	70-500	2/0-1000

OP-60S

OP-60ST With Aluminum Base

OP-60D

OP-60DT With Aluminum Base



Model No.	Acting	Output	Ram Stroke	Oil Volume	Crimping Range		Dies Type	Dimension (mm)	Weight (kg)
					Application	Details			
OP-60S OP-60ST	Single	60 Tons	37.6mm	308c.c.	Connector	O.D. 60mm	U-Type	Dia. 146*450(H) (Without Base)	27.5 30.5
OP-60D OP-60DT	Double	60 Tons	37.6mm	308c.c.	Connector	O.D. 60mm	U-Type	Dia. 146*450(H) (Without Base)	28 31

*Please check the dies-list for OP-60S & OP-60ST & OP-60D & OP-60DT

OP-100W



OP-200W

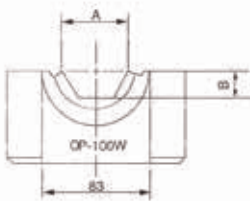


HYDRAULIC TOOL

Model No.	Acting	Output (Tons)	Ram Stroke	Oil Volume	Crimping Range		Dimension (mm)	Weight (kg)
					Application	Details		
OP-100W	Double	100	22mm	314c.c.	Connector	O.D. 75mm	Dia. 200*350(H)	32
OP-200W	Double	200	40mm	1134c.c.	Connector	O.D. 90mm	Dia. 270*415(H)	84

*Please check the dies-list for OP-100W & OP-200W

**Hexagon dies
DIES(OP100W)**

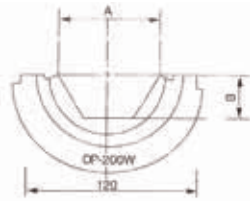


For Steel Sleeves
C: Die-Width

DIE NO.	A	B	C(100/200)
S8.5	8.5	3.7	50-
S10	10	4.3	45-
S12	12	5.2	40-
S16	16	6.9	40-
S18	18	7.8	35-
S20	20	8.7	35-
S22	22	9.5	35/70
S23	23	10	30-
S24	24	10.4	30/60
S26	26	11.3	30/60
S28	28	12.1	28/60
S30	30	12.99	25-
S32	32	13.9	25-
S44	44	19.1	-35
S50	50	21.7	-30



DIES(OP200W)

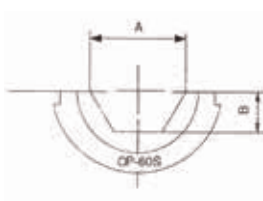


For Aluminum Sleeves
C: Die-Width

DIE NO.	A	B	C(100/200)
A22	22	9.5	75/128
A26	26	11.3	75/128
A30	30	12.5	75/128
A34	34	14.2	75/128
A38	38	16	75/128
A42	42	18.2	75/128
A44	44	18.6	75/128
A48	48	20.8	75/128
A52	52	22.5	75/128
A60	60	26	75/128
A65	65	28.2	75/128
A68	68	29.4	75/128
A71	71	30.7	75/128
A76	76	32.9	-128
A90	90	39	-128
A100	100	43.3	-128

**DIES(OP60S) & DIES(OP60ST)
DIES(OP60D) & DIES(OP60DT)**

Alcoa Type
Alcoa Type



For Copper Lugs

DIE NO.	A	B	C(100/200)
C14	14	6.1	60-
C17	17	7.4	60-
C19	19	8.2	60-
C23	23	10	60-
C26	26	11.3	60-
C29	29	12.6	60-
C32	32	13.9	60-
C36	36	15.6	55-
C38	38	16.5	55-
C42	42	18.2	55-
C47	47	20.4	50-
C50	50	21.7	50-
C51	51	22	50-
C54	54	23.4	50-
C56	56	24.3	40-
C57	57	24.7	40-
C63	63	27.3	-70
C64	64	27.7	35-
C68	68	29.4	-70
C73	73	31.6	-65
C78	78	33.8	-64
C85	85	36.8	-60
C86	86	37.23	-60



For Copper Lugs

DIE NO.	A	B	C
10SH	15.9	6.9	32
12SH	19.3	8.4	23.9
14SH	22.2	9.5	25.4
16SH	25.4	10.9	16.8
18SH	28.6	12.3	15.2
20SH	31.4	13.4	19
75SH	10.7	4.6	35.1
76SH	12.7	5.05	28.4
20AH	31.8	13.5	59.7
24AH	38.1	16.3	49.5
27AH	42.8	18.2	43.2
30AH	47.6	20.2	57
34AH	54	23	46.2
36AH	57.2	24.2	44.5
74AH	20.8	8.7	62
75AH	25.4	10.6	62
76AH	30.2	12.6	61.2

HYDRAULIC CRIMPING TOOL

TK-22



TK-240



HYDRAULIC TOOL

Model No.	Output (Tons)	Max. Pressure	Crimping Range		Dimension (mm)	Weight (kg)
			Application	Details		
TK-22	6	700kgf	Connector	Max. 300mm ²	283(L)*95(W)*160(H)	7.8
TK-240	6	700kgf	Connector	Max. 240mm ²	275(L)*95(W)*160(H)	7.1

UB-240HR



UB-300HR



Model No.	Description	Output (Tons)	Jaw Opening	Accessory	Suitable Pump
UB-240HR	Remote control crimping tool With insulated Handle & switch	12	25mm	Insulated hose & cable(3m)	PM-P2
UB-300HR		12	30mm	Insulated hose & cable(3m)	PM-1000

S-20



General Specification	
Application	Copper and Aluminum Cable & Wire Rope Cutting
Output	6 Tons
Weight	2.8 Kgs
Length	390mm

Model No.	Application & Cutting Range	
	Suitable Material	Range
S-20	Wire Rope (Hemp Core) 6x7	O.D. 16mm
	Wire Rope (Hemp Core) 6x12	O.D. 20mm
	Wire Rope (Hemp Core) 6x19	O.D. 20mm
	Soft CU/AL Round Bar	O.D. 20mm
	Soft Steel Round Bar	O.D. 16mm
	Bare CU/AL Wire Strand	O.D. 20mm
	Telephone CU/AL Cable(CCP)	O.D. 20mm
	Lead Sheathed Cable	O.D. 20mm
Armored Underground Cable		O.D. 20mm
Warning: Do NOT cut any Rebar or ACSR or Big Strand		

S-40



S-40FR With fiberglass Handles



S-40H



Double-stage hydraulic cutter design

General Specification	
Application	Copper and Aluminum Cable & Wire Rope Cutting
Output	8 Tons
Weight	6 Kgs (S-40) 6 Kgs (S-40FR) 2.8 Kgs (S-40H)
Length	560mm (S-40) 560mm (S-40FR) 247mm (S-40H)

Model No.	Application & Cutting Range	
	Suitable Material	Range
S-40 S-40FR S-40H	Wire Rope (Hemp Core) 6x7	O.D. 20mm
	Wire Rope (Hemp Core) 6x12	O.D. 25mm
	Wire Rope (Hemp Core) 6x19	O.D. 25mm
	Soft CU Round Bar	O.D. 25mm
	Soft AL Round Bar	O.D. 22mm
	Soft Steel Round Bar	O.D. 16mm
	Bare CU/AL Wire Strand	O.D. 32mm
	Telephone CU/AL Cable(CCP)	O.D. 40mm
	Lead Sheathed Cable	O.D. 40mm
	Armored Underground Cable	O.D. 40mm
Warning: Do NOT cut any Rebar or ACSR or Big Strand		

S-40A



S-40AFR With fiberglass Handles



S-40AH



Double-stage hydraulic cutter design

General Specification	
Application	ACSR Cutting
Output	8 Tons
Weight	6 Kgs (S-40A) 6 Kgs (S-40AFR) 2.8 Kgs (S-40AH)
Length	560mm (S-40A) 560mm (S-40AFR) 247mm (S-40AH)

Model No.	Application & Cutting Range	
	Suitable Material	Range
S-40A S-40AFR S-40AH	Soft CU Round Bar	O.D. 25mm
	Soft AL Round Bar	O.D. 22mm
	Soft Steel Round Bar	O.D. 16mm
	Bare CU/AL Wire Strand	O.D. 32mm
	ACSR	O.D. 28mm
Warning: Do NOT cut any Wire Rope or Cable		

HYDRAULIC CABLE CUTTER

S-45FR With fiberglass Handles



Double-stage hydraulic cutter design

General Specification	
Application	Copper and Aluminum Cable & Wire Rope Cutting
Output	8 Tons
Weight	6 Kgs (S-45FR) 2.9 Kgs (S-45H)
Length	560mm (S-45FR) 248mm (S-45H)

S-45H



Model No.	Application & Cutting Range	
	Suitable Material	Range
S-45FR S-45H	Wire Rope (Hemp Core) 6x7	O.D. 20mm
	Wire Rope (Hemp Core) 6x12	O.D. 25mm
	Wire Rope (Hemp Core) 6x19	O.D. 25mm
	Soft CU Round Bar	O.D. 25mm
	Soft AL Round Bar	O.D. 22mm
	Soft Steel Round Bar	O.D. 16mm
	Bare CU/AL Wire Strand	O.D. 32mm
	Telephone CU/AL Cable(CCP)	O.D. 45mm
	Lead Sheathed Cable	O.D. 45mm
Armored Underground Cable	O.D. 45mm	
Warning: Do NOT cut any Rebar or ACSR or Big Strand		

HYDRAULIC TOOL

S-32



General Specification	
Application	Copper and Aluminum Cable & Wire Strand Cutting
Output	6.5 Tons
Weight	3.8 Kgs (S-32) 2.9 Kgs (S-32H)
Length	460mm (S-32) 295mm (S-32H)

S-32H



Model No.	Application & Cutting Range	
	Suitable Material	Range
S-32 S-32H	Bare CU/AL Wire Strand	O.D. 28mm
	Telephone CU/AL Cable(CCP)	O.D. 30mm
	Lead Sheathed Cable	O.D. 30mm
	Underground Cable	O.D. 30mm
Warning: Do NOT cut any Rebar or ACSR or Big Strand or Wire Rope or Round Bar or Armored Cable		

S-505



General Specification	
Application	Copper and Aluminum Cable & Wire Strand Cutting
Output	5 Tons
Weight	6 Kgs (S-505) 5.2 Kgs (S-505H)
Length	520mm (S-505) 310mm (S-505H)

S-505H



Model No.	Application & Cutting Range	
	Suitable Material	Range
S-505 S-505H	Bare CU Wire Strand	O.D. 28mm
	Bare AL Wire Strand	O.D. 46mm
	Telephone CU/AL Cable(CCP)	O.D. 50mm
	Lead Sheathed Cable	O.D. 50mm
Warning: Do NOT cut any Rebar or ACSR or Big Strand or Wire Rope or Round Bar or Armored Cable		

S-52FR With fiberglass Handles



General Specification	
Application	Copper and Aluminum Cable & Wire Rope Cutting
Output	10 Tons
Weight	8.8 Kgs (S-52FR) 8.8 Kgs (S-52AFR)
Length	670mm (S-52FR) 670mm (S-52AFR)

S-52AFR With fiberglass Handles



Model No.	Application & Cutting Range	
	Suitable Material	Range
S-52FR	Wire Rope (Hemp Core) 6x7	O.D. 20mm
	Wire Rope (Hemp Core) 6x12	O.D. 25mm
	Wire Rope (Hemp Core) 6x19	O.D. 25mm
	Soft CU Round Bar	O.D. 25mm
	Soft AL Round Bar	O.D. 22mm
	Soft Steel Round Bar	O.D. 16mm
	Bare CU/AL Wire Strand	O.D. 32mm
	Telephone CU/AL Cable(CCP)	O.D. 52mm
	Lead Sheathed Cable	O.D. 52mm
S-52AFR	Armored Underground Cable	O.D. 52mm
	Soft CU Round Bar	O.D. 25mm
	Soft AL Round Bar	O.D. 22mm
	Soft Steel Round Bar	O.D. 16mm
	Bare CU/AL Wire Strand	O.D. 32mm
	ACSR	O.D. 42mm

SR-20



General Specification	
Application	Round Bar Cutting
Output	18 Tons
Weight	10.5 Kgs (SR-20) 9 Kgs (SR-20H)
Length	685mm (SR-20) 300mm (SR-20H)

SR-20H



Model No.	Application & Cutting Range	
	Suitable Material	Range
SR-20	Soft CU/AL Round Bar	O.D. 19mm
SR-20H	Soft Steel Round Bar	O.D. 19mm
Warning: Do NOT cut any Rebar or ACSR or Big Strand or Wire Rope or Cable		

WR-16



General Specification	
Application	Round Bar Cutting
Output	8 Tons
Weight	4.7 Kgs
Length	560mm

Model No.	Application & Cutting Range	
	Suitable Material	Range
WR-16	Soft CU/AL Round Bar	O.D. 16mm
	Soft Steel Round Bar	O.D. 16mm
Warning: Do NOT cut any Rebar or ACSR or Big Strand or Wire Rope or Cable		

HYDRAULIC CABLE CUTTER

WR-25



General Specification	
Application	Copper and Aluminum Cable & Wire Rope Cutting
Output	8 Tons
Weight	4 Kgs
Length	426mm

Model No.	Application & Cutting Range	
	Suitable Material	Range
WR-25	Wire Rope (Hemp Core) 6x7	O.D. 18mm
	Wire Rope (Hemp Core) 6x12	O.D. 25mm
	Wire Rope (Hemp Core) 6x19	O.D. 25mm
	Soft CU/AL Round Bar	O.D. 25mm
	Soft Steel Round Bar	O.D. 20mm
	Bare CU/AL Wire Strand	O.D. 25mm
	Telephone CU/AL Cable(CCP)	O.D. 25mm
	Lead Sheathed Cable	O.D. 25mm
	Armored Underground Cable	O.D. 25mm
Warning: Do NOT cut any Rebar or ACSR or Big Strand		

WR-32



General Specification	
Application	Steel Wire Cutting
Output	18 Tons
Weight	11 Kgs (WR-32) 9.3 Kgs (WR-32H)
Length	720mm (WR-32) 300mm (WR-32H)

WR-32H



Model No.	Application & Cutting Range	
	Suitable Material	Range
WR-32 WR-32H	Wire Rope (Hemp Core) 6x7	O.D. 32mm
	Wire Rope (Hemp Core) 6x12	O.D. 32mm
	Wire Rope (Hemp Core) 6x19	O.D. 32mm
	Soft CU/AL Round Bar	O.D. 32mm
	Soft Steel Round Bar	O.D. 25mm
	Bare CU/AL Wire Strand	O.D. 25mm
	Armored Underground Cable	O.D. 32mm
Warning: Do NOT cut any CCP Cable or Lead Sheathed Cable or ACSR		

CPC-85A



CPC-85FR With FRP insulated Handles



CPC-85AS



CPC-85FRS With FRP insulated Handles



HT-85 FREE PIN



HT-85S FLIP-TOP LATCH
For easy insertion of cutting cable



HT-85SC With Safety Guard/Cover



General Specification	
Application	Copper and Aluminum Cable & Strand Cutting
Output	5 Tons
Weight	7 Kgs (CPC-85A) 7 Kgs (CPC-85FR) 8 Kgs (CPC-85AS) 8 Kgs (CPC-85FRS) 6 Kgs (HT-85) 7 Kgs (HT-85S) 7 Kgs (HT-85SC)
Length	695mm (CPC-85A) 695mm (CPC-85FR) 695mm (CPC-85AS) 695mm (CPC-85FRS) 456mm (HT-85) 456mm (HT-85S) 470mm (HT-85SC)

Model No.	Application & Cutting Range	
	Suitable Material	Range
CPC-85A	Bare CU Wire Strand	O.D. 28mm
CPC-85FR	Bare AL Wire Strand	O.D. 38mm
CPC-85AS	Telephone CU/AL Cable(CCP)	O.D. 85mm
CPC-85FRS	Underground Cable	O.D. 85mm
HT-85		
HT-85S		
HT-85SC		

Warning: Do NOT cut any Rebar or ACSR or Big Strand or Steel Wire or Armored Cable

HYDRAULIC CABLE CUTTER

HT-52



General Specification	
Application	Copper and Aluminum Cable Cutting
Output	12 Tons
Weight	6 Kgs
Length	320mm

Model No.	Application & Cutting Range	
	Suitable Material	Range
HT-52	Bare CU/AL Wire Strand	O.D. 52mm
	Telephone CU/AL Cable(CCP)	O.D. 52mm
	Lead Sheathed Cable	O.D. 52mm
	Underground Cable	O.D. 52mm
Warning: Do NOT cut any Rebar or ACSR or Big Strand or Wire Rope or Round Bar or Armored Cable		

HT-95



General Specification	
Application	Copper and Aluminum Cable Cutting
Output	12 Tons
Weight	9.8 Kgs
Length	350mm

Model No.	Application & Cutting Range	
	Suitable Material	Range
HT-95	Bare CU/AL Wire Strand	O.D. 95mm
	Telephone CU/AL Cable(CCP)	O.D. 95mm
	Lead Sheathed Cable	O.D. 95mm
	Underground Cable	O.D. 95mm
Warning: Do NOT cut any Rebar or ACSR or Big Strand or Wire Rope or Round Bar or Armored Cable		

HT-100



General Specification	
Application	Copper and Aluminum Cable Cutting
Output	8 Tons
Weight	13.5 Kgs
Length	570mm

Model No.	Application & Cutting Range	
	Suitable Material	Range
HT-100	Bare CU Wire Strand	O.D. 42mm
	Bare AL Wire Strand	O.D. 46mm
	Telephone CU/AL Cable(CCP)	O.D. 100mm
	Lead Sheathed Cable	O.D. 100mm
	Underground Cable	O.D. 100mm
Warning: Do NOT cut any Rebar or ACSR or Big Strand or Wire Rope or Round Bar or Armored Cable		

HT-120



General Specification	
Application	Copper and Aluminum Cable Cutting
Output	8 Tons
Weight	14.5 Kgs
Length	600mm

Model No.	Application & Cutting Range	
	Suitable Material	Range
HT-120	Bare CU Wire Strand	O.D. 42mm
	Bare AL Wire Strand	O.D. 46mm
	Telephone CU/AL Cable(CCP)	O.D. 120mm
	Lead Sheathed Cable	O.D. 120mm
	Underground Cable	O.D. 120mm
Warning: Do NOT cut any Rebar or ACSR or Big Strand or Wire Rope or Round Bar or Armored Cable		

S-60H



General Specification	
Application	Copper and Aluminum Cable & Wire Rope & Armored Cable Cutting
Output	15 Tons
Weight	11 Kgs
Length	420mm

Model No.	Application & Cutting Range	
	Suitable Material	Range
S-60H	Wire Rope (Hemp Core) 6x7	O.D. 25mm
	Wire Rope (Hemp Core) 6x12	O.D. 30mm
	Wire Rope (Hemp Core) 6x19	O.D. 30mm
	Soft CU Round Bar	O.D. 35mm
	Soft AL Round Bar	O.D. 28mm
	Bare CU/AL Wire Strand	O.D. 50mm
	ACSR	O.D. 35mm
	Telephone CU/AL Cable(CCP)	O.D. 60mm
	Lead Sheathed Cable	O.D. 60mm
Armored Underground Cable		O.D. 60mm
Warning: Do NOT cut any Rebar or Big Strand		

S-100H S-120H S-132H



General Specification	
Application	Copper and Aluminum Cable & Wire Rope & Armored Cable Cutting
Output	14 Tons
Weight	14 Kgs (S-100H) 15 Kgs (S-120H) 16 Kgs (S-132H)
Length	570mm (S-100H) 600mm (S-120H) 665mm (S-132H)

Model No.	Application & Cutting Range	
	Suitable Material	Range
S-100H S-120H S-132H	Wire Rope (Hemp Core) 6x7	O.D. 30mm
	Wire Rope (Hemp Core) 6x12	O.D. 36mm
	Wire Rope (Hemp Core) 6x19	O.D. 36mm
	Soft CU/AL Round Bar	O.D. 40mm
	Bare CU/AL Wire Strand	O.D. 50mm
	Telephone CU/AL Cable(CCP)	O.D. 100/120/132mm
	Lead Sheathed Cable	O.D. 100/120/132mm
	Armored Underground Cable	O.D. 100/120/132mm
	Warning: Do NOT cut any Rebar or Big Strand or ACSR	

S-65YFR S-85YFR



BLADE(S65YFR)



S-65YH S-85YH



BLADE(S85YFR)

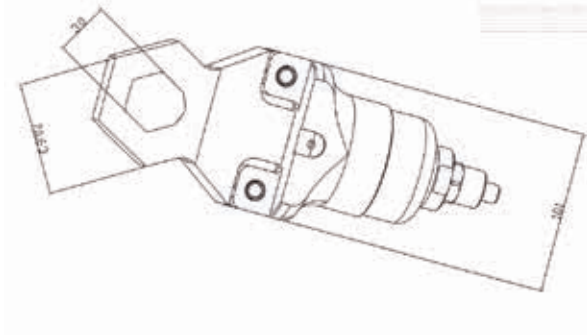
General Specification	
Application	Copper and Aluminum Cable & Armored Cable Cutting
Output	12 Tons
Weight	10.95 Kgs (S-65YFR) 11.15 Kgs (S-85YFR)
Length	550mm (S-65YFR) 780mm (S-85YFR)

Model No.	Application & Cutting Range	
	Suitable Material	Range
S-65YFR	Telephone CU/AL Cable(CCP)	O.D. 65/85mm
S-85YFR	Lead Sheathed Cable	O.D. 65/85mm
S-65YH S-85YH	Armored Underground Cable	O.D. 65/85mm
Warning: Do NOT cut any Rebar or Steel Wire or Big Strand or ACSR or Wire Rope		

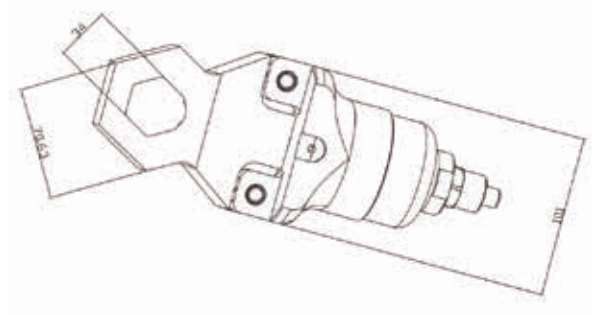
HYDRAULIC SPECIAL TOOL

Hydraulic Nut Splitter

SS-24



SS-32



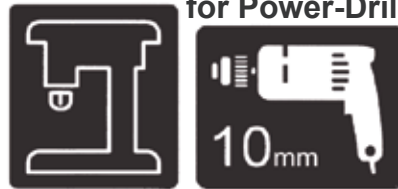
Model No.	Output (Tons)	Splitting Capacity (mm)	Weight (kg)
SS-24	12	Dia. 24	11
SS-32	12	Dia. 32	11.5

Multi-Function Hole Cutter

X-200
X-200T



10mm SHANK
for Power-Drills



BH-001
High Speed Steel



BT-001
Tungsten Carbide Steel



Model No.	Blade	Application	Punching Range
X-200	BH-001 High Speed Steel	Veneer Plywood Wood Board Plaster Board Acrylic Sheet	* Diameter Ø 40mm (1-9/16") - Ø 203mm (8")
X-200T	BT-001 Tungsten Carbide Steel	Gypsum Board Fiber Cement Board	* Thickness 3mm(1/8") - 46mm(1-7/8")

Remark: Need to punch a hole with DIA. 10mm before using this cutter. (Power-Drills)

MAP10-2 Hydraulic Punch Driver Set



Application:
Panel & Switchboard & Soft Steel
Max. Thickness 3.2mm

Model No.	Output (Tons)	Content	Weight (kg)
MAP10-2	12	*Punch Head (1pc) *Punch Die (6pcs) Ø 21.8mm (1/2") Ø 27.6mm (3/4") Ø 34.1mm (1") Ø 42.7mm (1-1/4") Ø 48.7mm (1-1/2") Ø 60.5mm (2") *Draw(2pcs): 3/8" & 3/4" *Adaptor: 3pcs	7

MAP10-4 Hydraulic Punch Driver Set



Application:
Panel & Switchboard & Soft Steel
Max. Thickness 3.2mm

Model No.	Output (Tons)	Content	Weight (kg)
MAP10-4	12	*Punching Die(4pcs) Ø 76.1mm (2-1/2") Ø 88.9mm (3") Ø 102.8mm (3-1/2") Ø 115.5mm (4") *Draw(1pc): 1"	11.5

MAP10-H Hydraulic Punch Head



Application:
Panel & Switchboard & Soft Steel
Max. Thickness 3.2mm

Model No.	Output (Tons)	Ram Stroke	Oil Capacity	Content	Weight (kg)
MAP10-4	12	25mm	40c.c.	*Punch Head (1pc)	2.58

HYDRAULIC PUNCHING TOOL

MAP-8 With 360 degree-rotating aluminum head

Hydraulic Punch Driver



Application:

Stainless Steel Plate Max. Thickness 1.6mm
Mild Steel Plate Max. Thickness 3.2mm

Model No.	Output (Tons)	Ram Stroke	Oil Capacity	Content	Weight (kg)
MAP-8	8	20mm	40c.c.	*Punching Set for Thick Wall Conduit(6pcs) Three-Claws Dies Ø 21.8mm (1/2") Ø 27.6mm (3/4") Ø 34.1mm (1") Ø 42.7mm (1-1/4") Ø 48.7mm (1-1/2") Ø 60.5mm (2")	10 With punch

MAP-9 With 180 degree-rotating steel head

Hydraulic Punch Driver



Application:

Stainless Steel Plate Max. Thickness 1.6mm
Mild Steel Plate Max. Thickness 3.2mm

Model No.	Output (Tons)	Ram Stroke	Oil Capacity	Content	Weight (kg)
MAP-9	8	20mm	40c.c.	*Punching Set for Thick Wall Conduit(6pcs) Four-Claws Dies Ø 21.8mm (1/2") Ø 27.6mm (3/4") Ø 34.1mm (1") Ø 42.7mm (1-1/4") Ø 48.7mm (1-1/2") Ø 60.5mm (2")	10 With punch

MAP-10 Hydraulic Punch Driver

Application:

Stainless Steel Plate Max. Thickness 1.6mm
Mild Steel Plate Max. Thickness 3.2mm



Model No.	Output (Tons)	Ram Stroke	Oil Capacity	Content	Weight (kg)
MAP-10	12	25mm	40c.c.	*Punching Set for Thick Wall Conduit(10pcs) Ø 21.8mm (1/2") Ø 27.6mm (3/4") Ø 34.1mm (1") Ø 42.7mm (1-1/4") Ø 48.7mm (1-1/2") Ø 60.5mm (2") Ø 76.1mm (2-1/2") Ø 88.9mm (3") Ø 102.8mm (3-1/2") Ø 115.5mm (4")	20 Without pump

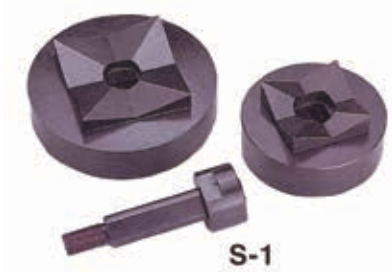
PUNCH DIES - ROUND & SQUARE

FOR THIN-WALL CONDUIT(A)

Content

- *Punching Set for Thin Wall Conduit(11pcs)
- Ø 19.75mm (3/4")
- Ø 26.1mm (1")
- Ø 32.5mm (1-1/4")
- Ø 38.7mm (1-1/2")
- Ø 51.6mm (2")
- Ø 64.4mm (2-1/2")
- Ø 77.2mm (3")
- Ø 22.5mm
- Ø 25.5mm
- Ø 32.5mm
- Ø 55mm

SQUARE PUNCH SET



Model No.	Punch Size
MS4545	45x45
MS4646	46x46
MS6868	68x68
MS9292	92x92
MS9245	92x45
MS9246	92x46

HYDRAULIC TOOL

SCREW & ADAPTOR FOR PUNCH DRIVER

SCREW Dia. 1"

25x151mm



SCREW Dia. 3/4"

19x138mm



SCREW Dia. 3/8"

9.5x80mm



SCREW Dia. 3/4"

19x40mm



AD20



AD34



AD44



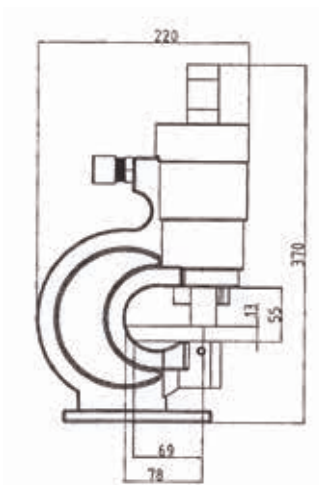
Model No.	Height (mm)
AD20	20
AD34	34
AD44	44

HYDRAULIC PUNCHING TOOL

PP-70

Hydraulic Punching Machine

Desk-Top Type

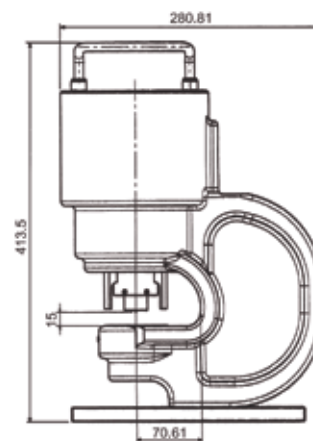


Model No.	Output(Tons) at Pressure 700kg/cm ²	Throat Depth (mm)	Max. Thickness (mm)	Content	Weight (kg)
PP-70	30	70	10	*Punching Set(4pcs) Ø 10.5mm (3/8") Ø 13.5mm (1/2") Ø 17.5mm (5/8") Ø 20.5mm (3/4")	13 Without pump

PP-80

Hydraulic Punching Machine

Desk-Top Type



Model No.	Output(Tons) at Pressure 700kg/cm ²	Throat Depth (mm)	Max. Thickness (mm)	Content	Weight (kg)
PP-80	50	70	15	*Punching Set(5pcs) Ø 10.5mm (3/8") Ø 13.5mm (1/2") Ø 17.5mm (5/8") Ø 20.5mm (3/4") Ø 25.5mm (1")	42 Without pump

HYDRAULIC TOOL

Hydraulic Tool for Bus Bar

BB-200
Bus Bar Bender



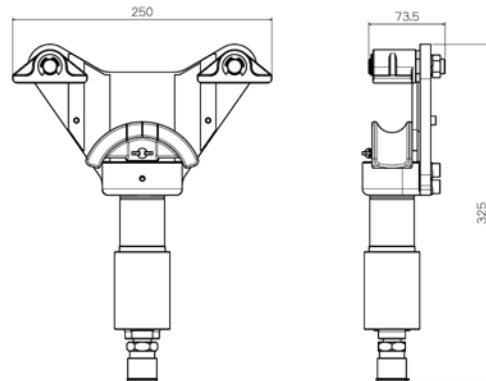
BC-150
Bus Bar Cutter



Model No.	Output (Tons)	Max. Width (mm)	Max. Thickness (mm)	Weight (kg)
BB-200	15	200	13	18
BC-150	15	150	13	26

HYDRAULIC TOOL

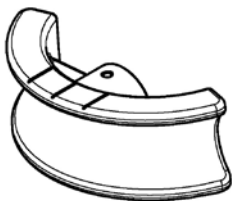
CB-250H With alloy-aluminum head & bending sets
Hydraulic Cable Bender



Model No.	Output (Tons)	Oil Volume	Bending Range	Bending Radius of Cable	Dimension (mm)	Weight (kg)
CB-250H	3	55 c.c.	CV-IV 100-325mm ²	R48mm	325(L)*250(W)*73.5(H)	3.9 <i>Without pump</i>

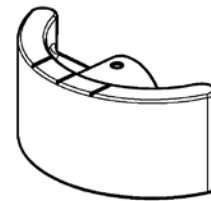
Bending Die

CB-001



CV-IV 325mm²

CB-002



CV-IV 100-250mm²