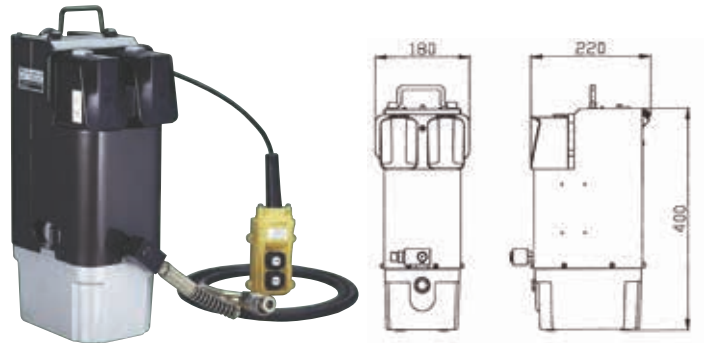


BATTERY HYDRAULIC PUMP

PM-P1

PM-P2 With Remote Control


Both batteries must be inserted into the cartridge slots of the pump, because they are connected to activate DC 28.8V Motor

Model No.	Motor	Oil Pressure	Max. Pressure	Min. Pressure	Reservoir Volume	Dimension (mm)	Weight (kg)	Accessory
PM-P1	DC 14.4V	700kgf/cm ²	700kg/cm ² 150c.c./min	2kg/cm ² 500c.c./min	550c.c.	355(L)*260(H)*160(W)	8	Charger & Battery 1.8M Hose
PM-P2	DC 28.8V	700kgf/cm ²	0.3 liter/min	1.8 liter/min	1700c.c.	400(L)*220(H)*80(W)	16.3	Charger & Battery 1.8M Hose Remote Control Switch

ELECTRIC HYDRAULIC PUMP

PM-E02

PM-E03


Model No.	Motor	Oil Pressure	Max. Pressure	Min. Pressure	Reservoir Volume	Dimension (mm)	Weight (kg)	Accessory
PM-E02	AC 100-125V	700kgf/cm ²	700kg/cm ² 150c.c./min	2kg/cm ² 500c.c./min	550c.c.	355(L)*260(H)*160(W)	8	AC Power & Adapter 1.8M Hose
PM-E03	AC 200-230V	700kgf/cm ²	700kg/cm ² 150c.c./min	2kg/cm ² 500c.c./min	550c.c.	355(L)*260(H)*160(W)	8	AC Power & Adapter 1.8M Hose

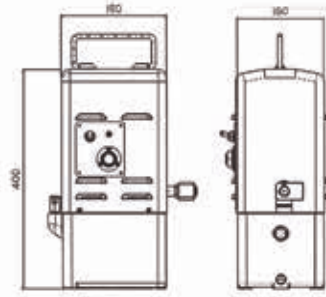
SUITABLE TOOL HEAD MODEL LIST FOR ABOVE PUMPS


HYDRAULIC HEAD

CO-500	TP-400H	THX-185H	OP-100W	HT-95	SS-24	BC-150
CO-630	TP-420H	THX-240H	HT-85	S-32H	MAP10-2	PP-80
CO-800	TP-800H	TP-413H	S-40AH	HT-120	MAP10-4	
CO-1000	TP-630H	TP-6H	S-120H	HT-100	MAP10-H	
TP-240H	TP-210H	TP-8H	S-100H	S-60H	BB-200	
TP-300H	TP-325H	OP-60S	HT-52	SS-32	PP-70	

ELECTRIC HYDRAULIC PUMP

PM-1000



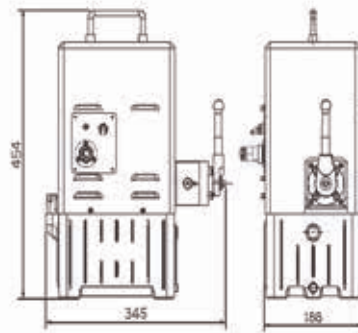
PM-1000 with Optional Accessory Pressure Gauge



Model No.	Motor	Oil Pressure	Max. Pressure	Min. Pressure	Reservoir Volume	Dimension (mm)	Weight (kg)	Accessory
PM-1000	AC 110/220V 650W 50/60HZ	700kgf/ cm ²	0.5 liter/min	2.75 liter/min	2600c.c.	190(L)*400(H)*160(W)	16.8	1.8M Hose Remote Control Switch

PM-3000

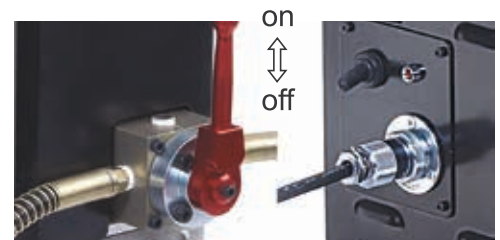
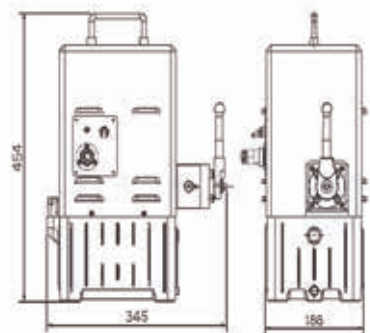
This model can release the pressure manually if there is without any electric power



Model No.	Motor	Oil Pressure	Max. Pressure	Min. Pressure	Reservoir Volume	Dimension (mm)	Weight (kg)	Accessory
PM-3000	AC 110/220V 650W 50/60HZ	700kgf/ cm ²	0.5 liter/min	2.75 liter/min	3300c.c.	230(L)*410(H)*190(W)	19.4	1.8M Hose Remote Control Switch

PM-3001

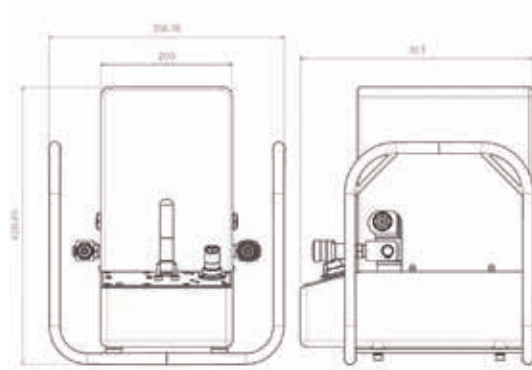
This model can release the pressure manually if there is without any electric power



Model No.	Motor	Oil Pressure	Max. Pressure	Min. Pressure	Reservoir Volume	Dimension (mm)	Weight (kg)	Accessory
PM-3001	AC 110/220V 650W 50/60HZ	700kgf/ cm ²	0.5 liter/min	2.75 liter/min	3300c.c.	230(L)*410(H)*190(W)	22.7	1.8M Hose Remote Control Switch Control Valve

PM-P4

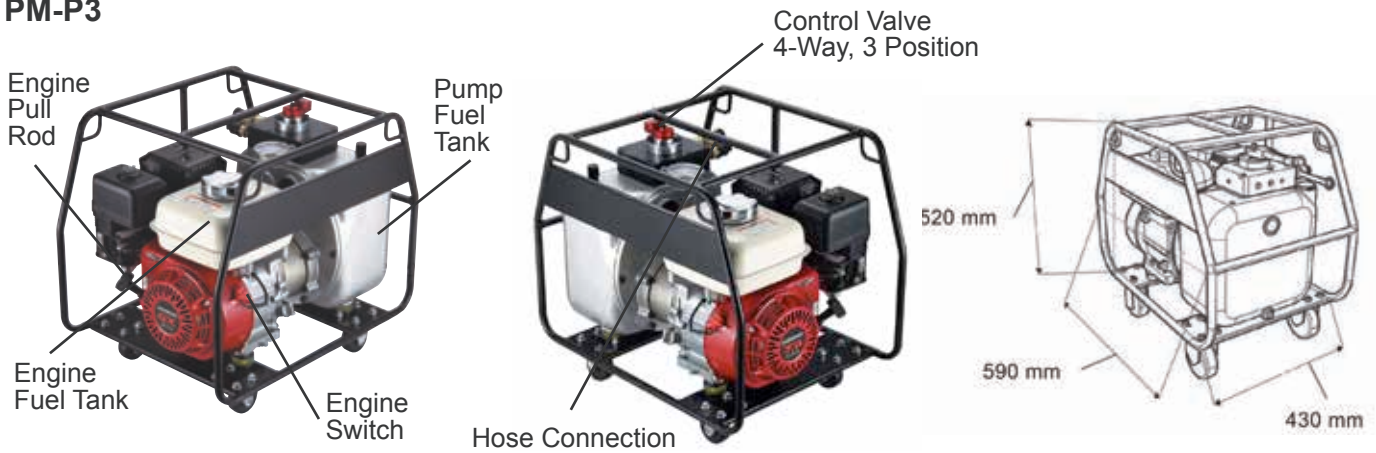
Solenoid Valve Switch
Apply for both Double-Acting & Single-Acting



Model No.	Motor	Oil Pressure	Max. Pressure	Min. Pressure	Reservoir Volume	Dimension (mm)	Weight (kg)	Accessory
PM-P4	AC 110/220V 1HP/60HZ	700 kgf/cm ²	0.5 liter/min	1.8 liter/min	2500c.c.	285(L)*400(H)*365(W)	42	1.8M Hose Remote Control Switch

ENGINE HYDRAULIC PUMP

PM-P3



Model No.	Motor	Oil Pressure	Max. Pressure	Min. Pressure	Reservoir Volume	Dimension (mm)	Weight (kg)	Accessory	Engine Fuel
PM-P3	5HP	700 kgf/cm ²	2.4 liter/min	10 liter/min	9.51 Liter	590(L)*520(H)*430(W)	48	1.8M Hose*2 pieces Control Valve	92 & 95 Lead-Free Gasoline ONLY

MANUALLY OPERATED PUMP

HS-700
Hydraulic Hand Pump



FS-700
Hydraulic Foot Pump



H-S
Hydraulic Hand Pump



With automatic safety valve by pass oil when reaching Max. pressure

Model No.	Max. Pressure kgf/cm ²		Output per Stroke(c.c.)		Reservoir Volume	Dimension (mm)	Weight (kg)	Speed
	1st Stage	2nd Stage	1st Stage	2nd Stage				
HS-700	20	700	13	2.8	700c.c.	580(L)*150(H)*140(W)	8	TWO
FS-700	20	700	13	2.8	700c.c.	474(L)*150(H)*150(W)	10	TWO
H-S	20	700	6	1	300c.c.	580(L)*150(H)*150(W)	3	TWO

HYDRAULIC PUMP

H-B
Hydraulic Hand Pump



F-B
Hydraulic Foot Pump



H-A
Hydraulic Hand Pump



H-C
Hydraulic Hand Pump



H-A2
Hydraulic Hand Pump



F-C
Hydraulic Foot Pump



Model No.	Max. Pressure kgf/cm ²		Output per Stroke(c.c.)		Reservoir Volume	Dimension (mm)	Weight (kg)	Speed	Oil Port Thread
	1st Stage	2nd Stage	1st Stage	2nd Stage					
H-A	---	700	---	2.8	600c.c.	530(L)*125(H)*120(W)	6	SINGLE	1/4 NPT
H-B	20	700	13	2.8	700c.c.	600(L)*150(H)*150(W)	8	TWO	3/8 NPT
F-B	20	700	13	2.8	700c.c.	708(L)*170(H)*174(W)	11	TWO	3/8 NPT
F-C	20	700	13	2.8	700c.c.	474(L)*192(H)*174(W)	11	TWO	3/8 NPT
H-C	20	700	13	2.8	2500c.c.	713(L)*200(H)*142(W)	12	TWO	3/8 NPT
H-A2	--	700	---	2.8	350c.c.	350(L)*125(H)*120(W)	4.4	SINGLE	3/8 NPT

AP-901



Model No.	Air Pressure	Air Consumption	Output Flow Rate (c.c./min)		Reservoir Volume	Dimension (mm)	Weight (kg)	Oil Port Thread
			Unload	Load				
AP-901	70-170 Bar	9 CFM	427	67	500c.c.	380(L)*205(H)*150(W)	6.7	1/4 NPT

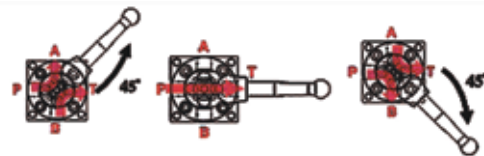
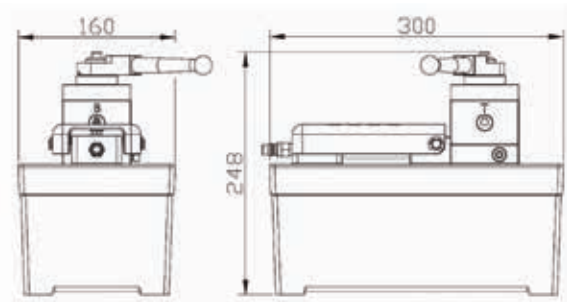
HYDRAULIC PUMP

AP-1000 AP-3000



Model No.	Air Pressure	Rated Pressure	Output Flow Rate (Liter/min)		Reservoir Volume	Dimension (mm)	Weight (kg)	Oil Port Thread	Acting
			Unload	Load					
AP-1000	7-10 Bar	700kgf/cm ²	1.28	0.16	1000c.c.	260(L)*200(H)*130(W)	6.6	3/8 NPT	SINGLE
AP-3000	7-10 Bar	700kgf/cm ²	1.28	0.16	3000c.c.	300(L)*245(H)*160(W)	10	3/8 NPT	SINGLE

AP-3001 With Control Valve

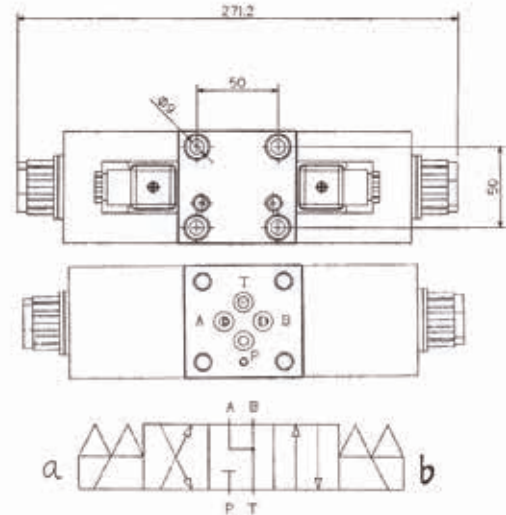
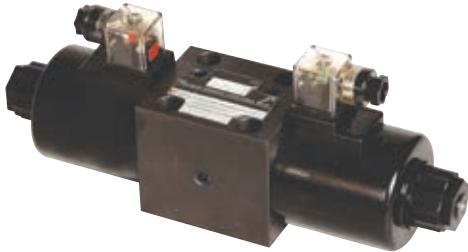


Model No.	Air Pressure	Rated Pressure	Output Flow Rate (Liter/min)		Reservoir Volume	Dimension (mm)	Weight (kg)	Oil Port Thread	Acting
			Unload	Load					
AP-3001	7-10 Bar	700kgf/cm ²	1.28	0.16	3000c.c.	300(L)*245(H)*160(W)	11.2	3/8 NPT	DOUBLE

PUMP ACCESSORY

DIRECTIONAL CONTROL VALVE

- NSW-4P-110 (AC 110V)
- NSW-4P-220 (AC 220V)
- NSW-4P-12 (DC 12V)

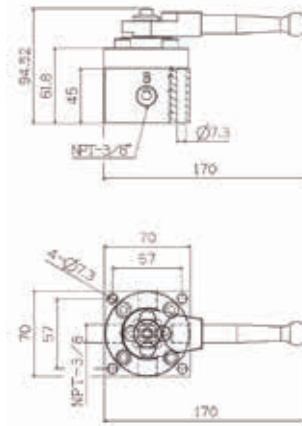
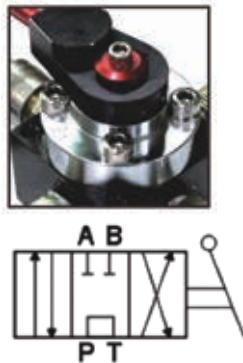


- Suitable for both Single or Double Acting Cylinder
- Possibility to select advance, hold & retract
- Detent internal rotor snaps into position ensuring accurate alignment of internal flow passages

Model No.	Description	Max. Pressure	Oil Port Thread	Length (mm)	Weight (kg)
NSW-4P	Control Valve with 3 positions & 4 ports	700kgf/cm ²	3/8 NPT	270	5.76

HYDRAULIC PUMP

VH-700



- Suitable for both Single or Double Acting Cylinder
- Possibility to select advance, hold & retract
- Lever operated, detent positioned

Model No.	Description	Max. Pressure	Oil Port Thread	Length (mm)	Weight (kg)
VH-700	Control Valve with 3 positions & 4 ports	700kgf/cm ²	3/8 NPT	170	1.26

VB-201
Manifold Valve
Two Ports



VB-301
Manifold Valve
Three Ports



VB-401
Manifold Valve
Four Ports



Allows distribution of hydraulic fluid from one source to two or four cylinders

QUICK COUPLER

C-18
3/8" NPT Threads



C-18-F
3/8" NPT Threads



C-18-M
3/8" NPT Threads



C-18-C
Cover



C-20
3/8" NPT Threads



C-20-F
3/8" NPT Threads



C-20-M
3/8" NPT Threads



C-20-C
Cover



C-8
3/8" NPT Threads



C-8-F
3/8" NPT Threads



C-8-M
3/8" NPT Threads



C-8-C
Cover



ADO303
3/8" NPT Threads
Both male ends



HYDRAULIC PUMP

PRESSURE GAUGE

GA-1000



TA-1000



TA-600



TA-1800



TA-350



Model No.	Max. Pressure	Application & Suggested Suitable Tools
GA-1000	700kgf/cm ²	For testing of Hydraulic Pump
TA-1000	700kgf/cm ²	For testing of TP-400 & TP-300 & TP-240
TA-600	700kgf/cm ²	For testing of EWS-1 & EWP-1 & MNWS-1 & WLS-1 (Plumbing Tool)
TA-1800	700kgf/cm ²	For testing of TP-325 & TP-325H & TP-630 & TP-630H
TA-350	700kgf/cm ²	For testing of all Battery Pistol Grip Tools

PUMP ACCESSORY

HYDRAULIC OIL

T-15



T-32



Model No.	Description	Capacity (c.c.)	Suitable Model
T-15	Hydraulic Oil for Tool	1000	For Hydraulic Tools
T-32	Hydraulic Oil for Pump	1000	For Electric & Battery Pumps

HYDRAULIC PUMP

HYDRAULIC HOSE

H-18
3/8" NPT
with Quick Coupler C-18-F



H-18M
3/8" NPT
Both male ends
(OUT-Threads)



H-18MF
3/8" NPT
One side male end(OUT-Threads)
One side female end(IN-Threads)



Model No.	Hose Length (M)	Max. Pressure (PSI)	Coupler
H-18	1.8	10000	C-18-F
H-18M	1.8	10000	Both Out-Threads
H-18MF	1.8	10000	One side male & one side female end
H-30	3	10000	C-18-F

More customized hose length as your request. Inquiry welcome.