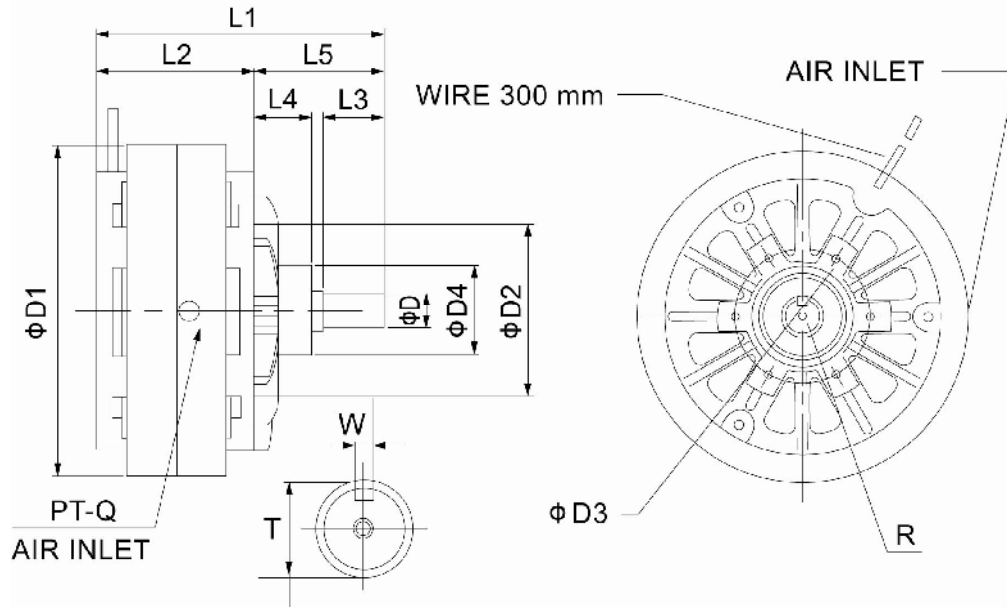




Specification

Type	Fix torque kgfm(Nm)	Capability (75°C)			Inertial torque (kgm ²)	Compelling air-cooling concessional slide rate of work			Weight (kg)	Max. speed of Rotation (r/min)	Weight of Magnetic Powder (g)
		Electric (A)	Electric Power (W)	(S)		Air pressure (pa)	Air volume (m3/min)	Ratio (W)			
POB-006	0.6(6)	0.81	19.4	0.09	6.10*10 ⁻⁵	1.8*10 ⁴	0.1	170	5.2	1800	10
POB-012	1.2(12)	0.94	22.5	0.10	1.34*10 ⁻³	3*10 ⁴	0.2	250	5.2	1,800	20
POB-025	2.5(25)	1.24	30	0.12	3.80*10 ⁻³	5*10 ⁴	0.4	380	9	1,800	33
POB-050	5(50)	2.15	51.5	0.13	9.50*10 ⁻³	1*10 ⁵	0.6	700	15.5	1,800	60
POB-100	10(100)	2.40	57.6	0.25	3.50*10 ⁻²	6*10 ⁴	1.1	1,100	34	1,800	140
POB-200	20(200)	2.70	64.8	0.12	9.15*10 ⁻²	5*10 ⁴	1.6	1,900	53	1,800	225
POB-400	40(400)	5	120	0.40	2.43*10 ⁻¹	1.6*10 ⁵	2.0	2,100	102	1,800	300

Size of appearance (mm)



Specification

Type	L1	L2	L3	L4	L5	D1	D2	D3	D4(G7)	Q	R		Axis body		
											Pathway	Depth	D(h7)	W(p7)	T(0-0.2)
POB-006	114	57	26	14	46	134	***	64	42	1/8	M4	10	12	4	13.5
POB-012	132	83	29	15	49	152	126	64	42	1/8	M4	8	15	5	17
POB-025	155	91	43	17	64	184	160	78	55	1/8	M5	10	20	5	22
POB-050	193	102	55	30	91	219	196	100	74	1/4	M6	12	25	7	28
POB-100	239	139	65	28	100	278	160	140	100	3/8	M10	20	30	7	33
POB-200	278	169	69	30	109	327	174	150	110	3/8	M10	20	35	10	38.5
POB-400	339	200	92	35	139	398	230	200	130	3/8	M10	20	45	12	48.5

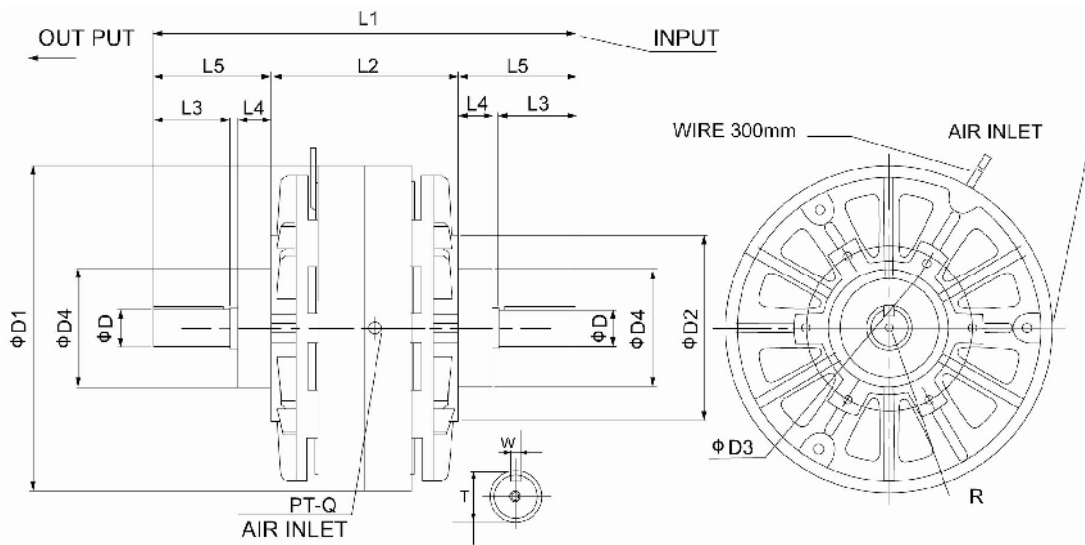
We reserve the right of changing specification or size to our products



Specification

Type	Fix torque kgfm(Nm)	Capability (75°C)			Inertial torque (kgm ²)		Compelling air-cooling concessional slide rate of work			Weight (kg)	Max. speed of Rotation (r/min)	Weight of Magnetic Powder (g)
		Electric (A)	Electric Power (W)	(S)	INPUT	OUTPUT	Air pressure (pa)	Air volume (m3/min)	Ratio (W)			
POC-006	0.6 (6)	0.81	19.4	0.09	6.00×10^{-4}	1.93×10^{-4}	1.8×10^4	0.1	170	5.2	1800	10
POC-012	1.2(12)	0.94	22.5	0.10	1.34×10^{-3}	4.90×10^{-4}	3×10^4	0.2	250	6	1,800	20
POC-025	2.5(25)	1.24	30	0.12	3.80×10^{-3}	1.49×10^{-3}	5×10^4	0.4	380	11	1,800	33
POC-050	5(50)	2.15	51.5	0.13	9.50×10^{-3}	4.80×10^{-3}	1×10^5	0.6	700	18.5	1,800	60
POC-100	10(100)	2.40	57.6	0.25	3.50×10^{-2}	2.50×10^{-2}	6×10^4	1.1	1,100	37	1,800	140
POC-200	20(200)	2.70	64.8	0.37	9.15×10^{-2}	6.89×10^{-2}	5×10^4	1.6	1,900	59	1,800	225
POC-400	40(400)	5	120	0.40	2.43×10^{-1}	1.50×10^{-1}	1.6×10^5	2.0	2,100	110	1,800	300

Size of appearance (mm)

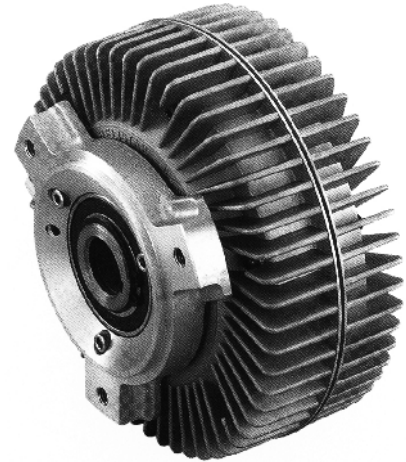


Specification

Type	L1	L2	L3	L4	L5	D1	D2	D3	D4(G7)	Q	R		Axis body		
											Pathway	Depth	D(h7)	W(p7)	T(0-0.2)
POC-006	164	72	26	14	46	134	***	64	42	1/8	M4	10	12	4	13.5
POC-012	192	94	29	15	49	152	126	64	42	1/8	M4	8	15	5	17
POC-025	230	102	43	17	64	184	160	78	55	1/8	M5	10	20	5	22
POC-050	294	112	55	30	91	219	196	100	74	1/4	M6	12	25	7	28
POC-100	360	160	65	28	100	278	160	140	100	3/8	M10	20	30	7	33
POC-200	408	190	69	30	109	327	174	150	110	3/8	M10	20	35	10	38.5
POC-400	500	221	92	35	139	398	230	200	130	3/8	M10	20	45	12	48.5

We reserve the right of changing specification or size to our products

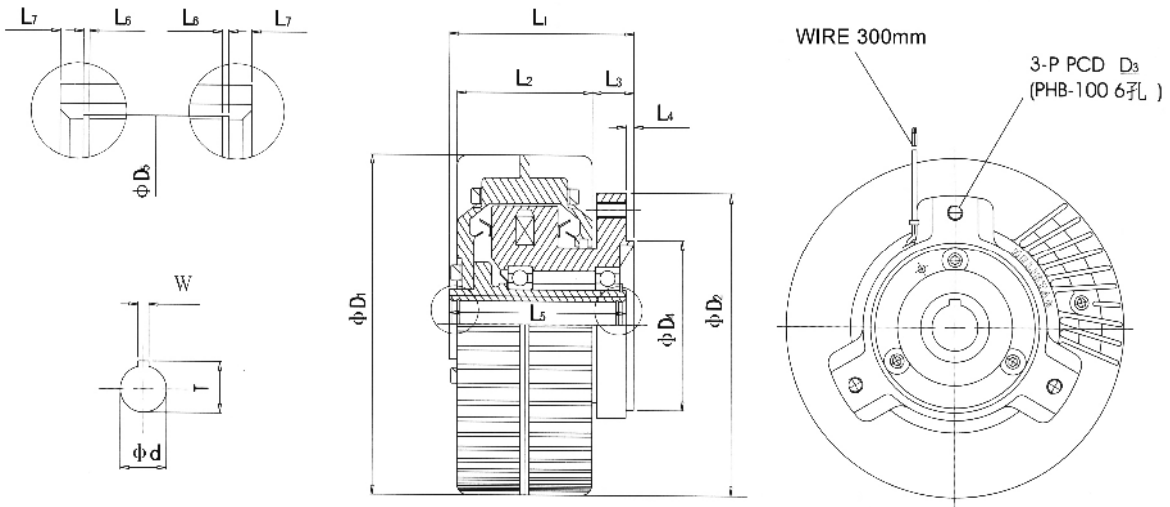
Hollow spindle magnetic powder brake



Specification

Type	Fix torque kgfm (Nm)	Capability (75°C)			Inertial torque (kgm ²)	Weight (kg)	Max. speed of Rotation (r/min)	Weight of Magnetic Powder (g)
		Electric (A)	Electric Power (W)	(S)				
PHB-050	5(50)	0.94	22.6	0.17	2.3*10 ⁻²	11	1,800	60
PHB-100	10(100)	1.21	28.8	0.30	9.75*10 ⁻²	21.5	1,800	117

Size of appearance (mm)

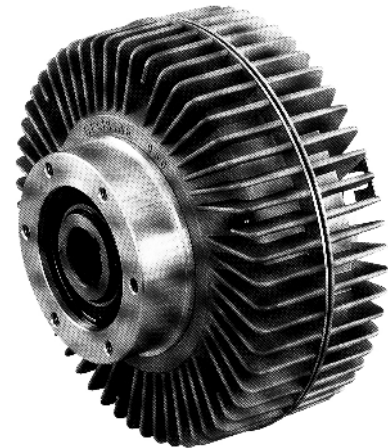


Specification

Type	L1	L2	L3	L4	L5	L6	L7	D1	D2	D3	D4 (G7)	D5	P		Axis body		
													Pathway	Depth	d(h7)	W(p7)	T(0-0.2)
PHB-050	120	88	27	5	115	1.3	5	220	172	150	110	31.4	M10	19	30	7	33
PHB-100	140	106	29	5	130	1.65	5	275	190	150	110	37	M10	22	35	10	38.5

We reserve the right of changing specification or size to our products

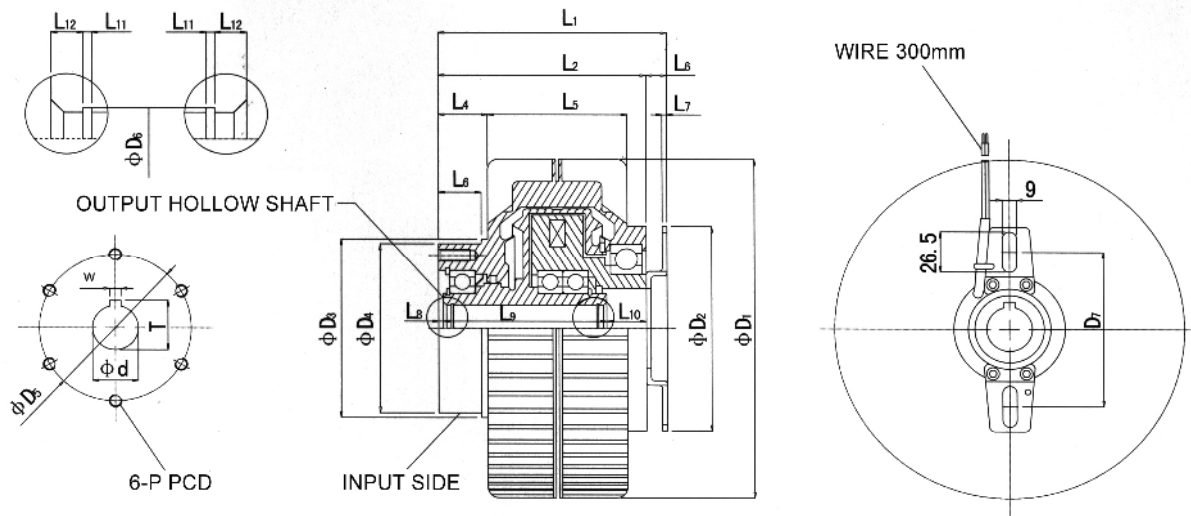
Hollow spindle magnetic powder clutch



Specification

Type	Fix torque kgfm (Nm)	Capability (75°C)			Inertial torque (kgm ²)		Weight (kg)	Max. speed of Rotation (r/min)	Weight of Magnetic Powder (g)
		Electric (A)	Electric Power (W)	(S)					
PHC-050	5(50)	1.4	33.6	0.09	2.6×10^{-2}	5.8×10^{-3}	11	1,800	60
PHC-100	10(100)	2.0	48	0.14	7.25×10^{-2}	1.6×10^{-2}	19	1,800	117

Size of appearance (mm)



Specification

Type	L1	L2	L3	L4	L5	L6	L7	L8	L9	L10	L11	L12	D1	D2	D3	D4 (G7)	D5	D6	D7	P		Axis body		
																				Pathway	Depth	D (h7)	W (p7)	T (0-0.2)
PHC-050	144	131	10	31	88	20	3	3	103	25	1.3	5	220	121	115	110	95	31.4	100.5	M8	20	30	7	33
PHC-100	171	158	10	40	106	30	3	4	112	42	1.65	5	275	142	130	125	100	37	108.5	M10	25	35	10	38.5

We reserve the right of changing specification or size to our products

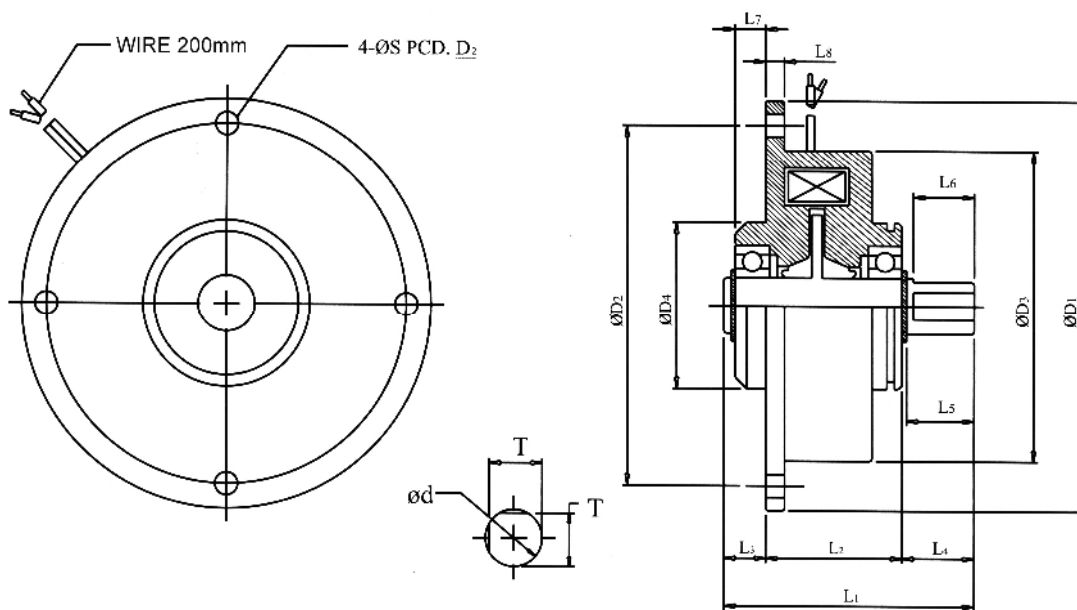
Mini-type magnetic powder brake



Specification

Type	Fix torque kgfcm (Nm)	Capability (75°C)			Inertial torque (kgm ²)	Weight (kg)	Max. speed of Rotation (r/min)
		Electric (A)	Electric Power (W)	(S)			
POB-0.05	0.5(5)	0.35	8.4	0.02	9.4×10^{-3}	0.4	1,800
POB-0.2	2(20)	0.39	9.5	0.034	5.58×10^{-3}	1	1,800
POB-0.5	5(50)	0.6	14.4	0.045	1.25×10^{-3}	1.3	1,800

Size of appearance (mm)

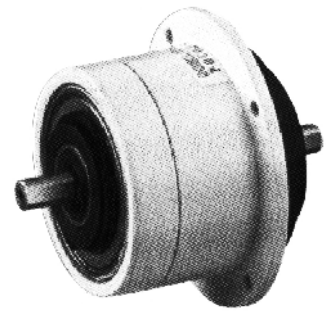


Specification

Type	L1	L2	L3	L4	L5	L6	L7	L8	D1	D2	D3	D4 (G7)	S	D (G7)	T
POB-0.05	56	27.5	5	23.3	22.3	12	2.5 *	3	65	56	43	46	4.5	6	5.5
POB-0.2	71.5	34	*	32	31	20	3 *	4	92	82	69	69	4.5	10	9
POB-0.5	66	36	11	19	18	16	8	5	108	95	82	44	6	15	14

We reserve the right of changing specification or size to our products

Mini-type magnetic powder clutch

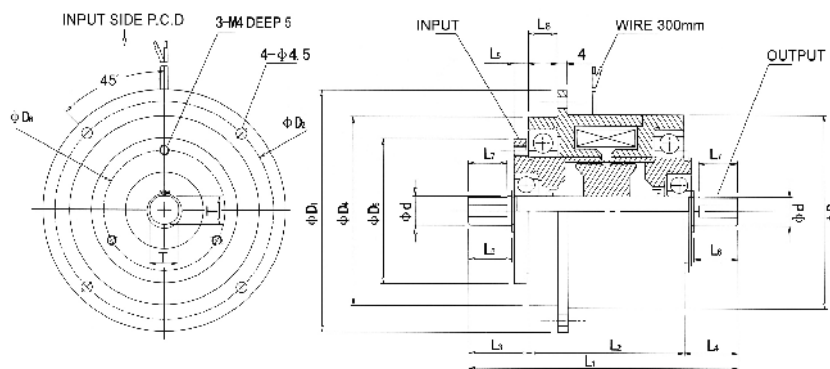


Specification

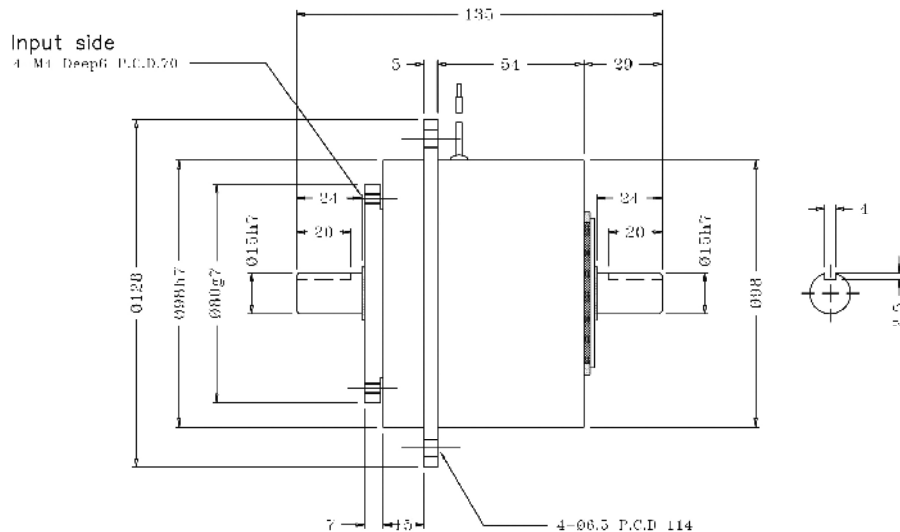
Type	Fix torque kgfcm (Nm)	Capability (75°C)			Inertial torque (kgm ²)		Weight (kg)	Max. speed of Rotation (r/min)
		Electric (A)	Electric Power (W)	(S)	INPUT	OUTPUT		
POC-0.2	2(20)	0.55	13	0.055	6.80×10^{-1}	1.03×10^{-1}	1.27	1,800
POC-0.5	5(50)	0.8	19	0.055	1.83	4.0×10^{-1}	2.3	1,800
POC-010	10(100)	1.0	24	0.09	5.3	1.1	4.1	1,800

Size of appearance (mm)

POC-0.2-0.5



POC-010



Specification

Type	L1	L2	L3	L4	L5	L6	L7	L8	D1	D2	D3	D4 (h7)	D5 (g7)	D6	D7	d (g6)	T
POC-0.2	95	53	22.5	19.5	6.5	15	13	9.5	85	75	65	63	48	40	16	9	8.5
POC-0.5	111	64	25	22	6	18	16	12	100	90	80	78	60	50	20	12	11.5

We reserve the right of changing specification or size to our products