

Electrak PPA-DC

12, 24 and 36 Vdc - load up to 6670 N

» Ordering Key - see page 65

» Glossary - see page 72

» Electric Wiring Diagram - see page 45



Standard Features and Benefits

- Strong and versatile heavy duty actuator
- High duty cycle
- Highly efficient ball screw drive system
- Overload clutch for mid and end of stroke protection
- Stroke lengths up to 36 inch (914 mm)
- Three different input voltages to choose from
- Motor with thermal switch
- Maintenance free
- Large range of options

General Specifications

Parameter	Electrak PPA-DC
Screw type	ball
Internally restrained	no
Manual override	no, optional
Dynamic braking	no
Holding brake	yes
End of stroke protection	overload clutch
Mid stroke protection	overload clutch
Motor protection	auto reset thermal switch
Motor connection	flying leads
Motor connector	no
Certificates	CE
Options	<ul style="list-style-type: none"> • end of stroke limit switches • potentiometer • encoder • protective bellows

Performance Specifications

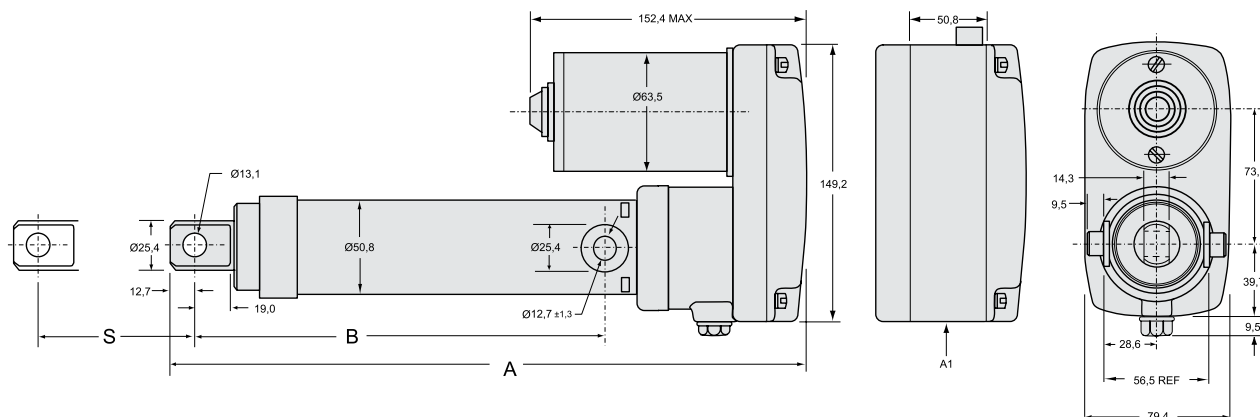
Parameter	PPA-DC
Maximum load, dynamic / static PPA •• -18B65 PPA •• -58B65	[N] 3330 / 13350 6670 / 13350
Speed, at no load / at maximum load PPA12(24/36)-18B65 PPA12(24/36)-58B65	[mm/s] 32 / 28 12 / 9
Available input voltages	[Vdc] 12, 24, 36
Standard stroke lengths	[inch] 4, 8, 12, 18, 24, 36
Operating temperature limits	[°C] -25 – +65
Full load duty cycle @ 25 °C	[%] 30
End play, maximum	[mm] 1
Restraining torque PPA •• -18B65 PPA •• -58B65	[Nm] 11 22
Lead cross section	[mm ²] 2
Lead length	[mm] 420
Protection class	IP52

Compatible Controls

Control model	See page
DPDT switch	48
DPDT switch box	49
AC-063	50
DCG-190	54

Electrak PPA-DC

12, 24 and 36 Vdc - load up to 6670 N



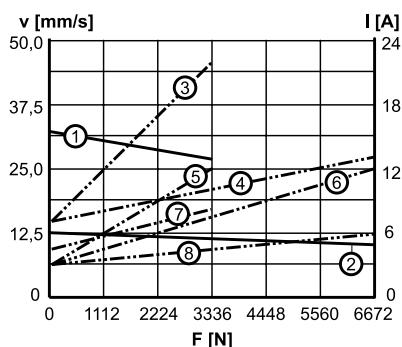
S: stroke
A: retracted length

B: retracted length to trunnions
A1: housing dimensions for limit switch, encoder or potentiometer options

Stroke (S)	[inch (mm)]	4 (101,6)	8 (203,2)	12 (304,8)	18 (457,2)	24 (609,6)	36 (914,4)
Retracted length (A) without options	[mm]	348,0	449,6	551,2	754,4	906,8	1211,6
Retracted length (A) with limit switch, encoder or potentiometer	[mm]	398,8	500,4	602,0	805,2	957,6	1262,4
Retracted length to trunnions (B)	[mm]	223,5	352,1	426,7	629,9	782,3	1087,1
Weight	[kg]	4,5	5,3	6,0	7,2	8,4	10,8
Add on weight for limit switch, encoder or potentiometer	[kg]	0,5	0,5	0,5	0,5	0,5	0,5

Performance Diagrams

Speed and Current vs. Load



V: speed I: current F: load

- 1: speed PPA •• -18B65
- 2: speed PPA •• -58B65
- 3: current 12 Vdc, PPA12-18B65
- 4: current 12 Vdc, PPA12-58B65
- 5: current 24 Vdc, PPA24-18B65
- 6: current 24 Vdc, PPA24-58B65
- 7: current 36 Vdc, PPA36-18B65
- 8: current 36 Vdc, PPA36-58B65