

WARNER ELECTRIC



**Wrap spring
Clutches
and Brakes**

Wrap Spring Clutches and Brakes

The most complete product line available for a wide variety of applications

The wrap Spring Clutches and Brakes offered by WARNER ELECTRIC are designed and developed using state of the art technology.

Conceptual analysis is performed using 3-D solids-based engineering software.

Our Quality Management System has been aligned to meet the requirements of ISO-9001. This international recognition of the quality system is of extreme importance in our pursuit of total customer satisfaction.

INDEXING

Clutch/Brake
Standard CB Series



Torque :
2,82 Nm - 560 Nm

Max. speed :
1800 RPM

Voltage :
AC or DC

Applications :
 Packaging
 Conveyor drive
 Rapid cycling equipment

Clutch/Brake
Super CB Series



Torque :
28 Nm - 560 Nm

Max. speed :
750 RPM

Voltage :
AC or DC

Applications :
 Packaging
 Conveyor drive
 Rapid cycling equipment

Clutch
SAC Series



Torque :
2,82 Nm - 56 Nm

Max. speed :
1800 RPM

Voltage :
AC or DC

Applications :
 Computer peripherals
 Business machine
 Packaging equipment

Clutch
ACCE Series



Torque :
169,5 Nm
280 Nm on request

Max. speed :
400 RPM

Voltage :
AC or DC

Applications :
 Material conveyors
 Packaging equipment

Clutch
ACCM Series



Torque :
169,5 Nm
280 Nm on request

Max. speed :
400 RPM

Voltage :
AC or DC

Applications :
 Material conveyors
 Packaging equipment

Clutch
SP Series



Torque :
2,82 Nm - 56 Nm

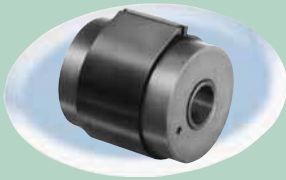
Max. speed :
1500 RPM

Voltage :
AC or DC

Applications :
 Paper drives
 Material conveyors
 Copying machines

STARTING

Clutch
PSI Series



Torque :
2,82 Nm - 56 Nm

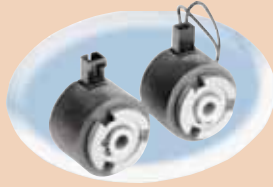
Max. speed :
1800 RPM

Voltage :
AC or DC

Applications :

- Business machines
- Copying machines
- Conveyors
- Packaging equipment

Clutch
DL Series



Torque :
2,82 Nm - 3,4 Nm

Max. speed :
1200 RPM

Voltage :
DC

Applications :

- Forms handling equipment
- Film processing machines
- Printers

Clutch
MAC-45 Series



Torque :
16 Nm

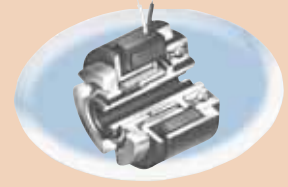
Max. speed :
1000 RPM

Voltage :
DC

Applications :

- Forms handling equipment
- Film processing machines
- Printers

Clutch
BBC-29 Series



Torque :
2,82 Nm

Max. speed :
1800 RPM

Voltage :
DC

Applications :

- Forms handling equipment
- Automatic bank tellers
- Feed rollers for paper, film...

Clutch
BIMAC Series



Torque :
2,83 Nm - 8,47 Nm

Max. speed :
1500 RPM

Voltage :
AC or DC

Applications :

- Paper drives
- Copying machines

SLIPPING

Clutch
BDSC Series



Torque :
0,14 Nm

Max. speed :
200 RPM

Engagement :
Mechanical

Applications :

- Conveyor drive systems for polyfilm bag manufacturing
- Ribbon winding
- Paper feed

Clutch
CTS Series



Torque :
1,58 Nm - 3,16 Nm

Max. speed :
150 RPM

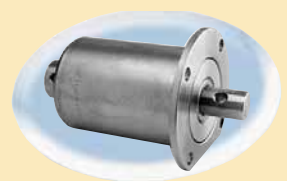
Engagement :
Mechanical

Applications :

- Cable winding equipment
- Gear boxes
- Servo systems

HOLDING

Clutch
BDNB Series



Torque :
28 Nm

Max. speed :
200 RPM

Engagement :
Mechanical

Applications :

- Tank turret drives
- Boat or aircraft trim tabs
- Manlift

ALTRA INDUSTRIAL MOTION

Performances by units

INDEXING									Max. torque	Max. speed
Size	PSI	SAC	CB	SUPER CB	ACCM	ACCE	SP	BIMAC	Nm	RPM
2	✓	✓	✓				✓		2,82	1800
4	✓	✓	✓				✓	✓	14	1200
5	✓	✓	✓	✓			✓	✓	28	750
6	✓	✓	✓	✓			✓	✓	56	500
7	*	*	✓	✓	✓	✓		✓	170	400
8	✓	*	✓	✓		*	*	✓	280	300
10	*	*	✓	✓				✓	560	200

STARTING				Max. torque	Max. speed
Size	DL	MAC	BBC	Nm	RPM
29			✓	2,82	1800
30	✓	✓		2,82	1200
33	✓			3,4	1200
45		✓		16	1000

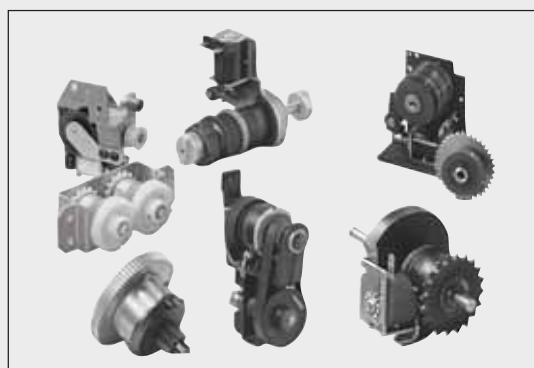
* On request

SLIPPING			Max. torque	Max. speed
Size	CTC	BDSC	Nm	RPM
		✓	0,14	200
25	✓		1,58	150
50	✓		3,6	150

HOLDING		Max. torque	Max. speed
Size	BDNB	Nm	RPM
	✓	28	200

Special designs

Even with a wide range of catalog modifications, WARNER ELECTRIC recognizes that standard products may not meet your requirements. Our engineers will work with you in developing a special adaptation: use of special materials, special hubs, shafts, shaft extensions, bore size, manufacture special mating parts... or an entirely new design.



www.warnerelectric-eu.com

WARNER ELECTRIC EUROPE

Rue Champfleury, B.P. 20095, F- 49182 St Barthélemy d'Anjou Cedex
Tél. +33 (0)2 41 21 24 24, Fax + 33 (0)2 41 21 24 00

CB605-gb-0708 - © 2008
Printed in France