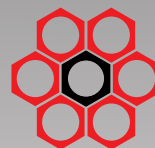
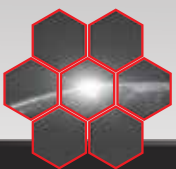


- *Manufactured from high purity copper*
- *Connections can be made off circuit or live line*
- *LV or HV application*
- *Install in all weather conditions*
- *Ensures consistently reliable joints*
- *Simple die selection and ease of compression*
- *Manual & hydraulic tools available*



Stone - Stamcor
bringing power to your product

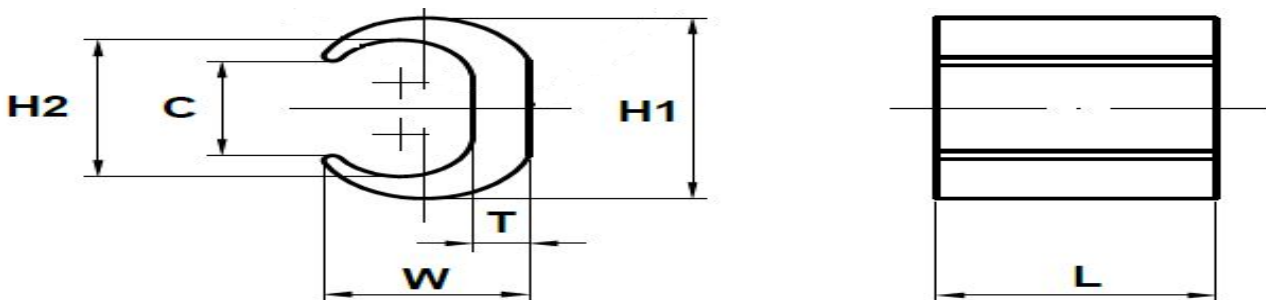
C Shaped Copper Connectors






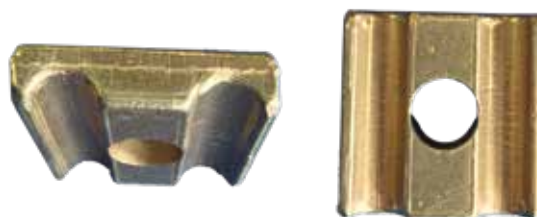
COPPER CRIMPITS

Dimensions (mm)							
Part No.	Cable Spec (mm)	H1	H2	W	L	C	T
CCT-10	2.5 - 4	9,50	6,30	6,20	12,00	4,00	1,60
CCT-16	4 - 6	11,80	7,80	7,80	13,00	5,00	2,00
CCT-20	6 - 10	12,80	8,60	9,70	13,00	5,40	2,90
CCT-26	10	14,70	10,20	10,00	16,00	6,50	3,20
CCT-44	16,00	19,00	13,40	14,40	20,00	8,50	4,00
CCT-60	16 - 25	21,00	15,40	15,40	22,00	9,70	4,00
CCT-76	25 - 35	24,40	17,30	17,60	22,00	10,80	5,00
CCT-98	35 - 50	27,80	20,80	18,80	25,00	12,80	5,00
CCT-122	50,00	29,80	22,10	21,20	26,00	13,50	5,50
CCT-154	50 - 70 3	4,00	25,70	24,40	28,00	17,00	6,00
CCT-190	70 - 95	37,00	28,50	25,40	35,00	17,40	6,00
CCT-240	95 - 120	40,00	30,20	28,50	40,00	19,00	7,00
CCT-288	120 - 150	44,50	34,70	34,10	45,00	22,30	7,00
CCT-65	150 - -185	47,50	37,70	34,00	50,00	24,80	7,00
CCT-450	185 - 240	57,00	42,50	41,00	60,00	28,00	10,00
CCT-560	240 - 300	62,00	46,00	44,00	65,00	31,00	11,00
CCT-700	300 - 400	68,00	54,00	49,50	70,00	44,00	12,00



 **BURNDY** AVAILABLE ON REQUEST

COPPER EARTHTAIL CLAMPS AS BELOW ARE AVAILABLE FOR 10MM COPPER CONDUCTOR



TIN PLATED ON REQUEST

CRIMPIT connectors are manufactured from "C" shaped sections of high purity copper.

They are equally suitable for making tap connections on dead or live line.

CRIMPIT connectors provide a consistently reliable joint. The die selection is simple

The die set and crimpit are cross-referenced with a die index letter or number, providing that these agree, there will be no question of the wrong die set being selected. In all cases the number of compressions required is indicated on the back.