



Stone-Stamcor
bringing power to your product

Locally Manufactured
Quality XLPE, Copper/Aluminium Lugs and Ferrules

Tested to SANS IEC 61238-1



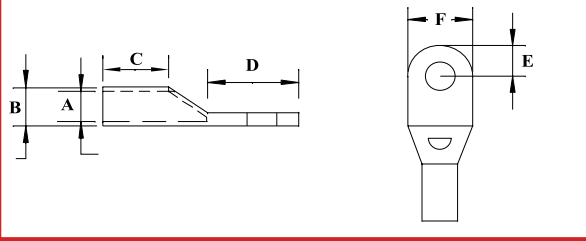


TABLE 1 - LUGS FOR COPPER CONDUCTOR/CABLE

NOTE:

1. The nominal area of the circular stranded conductor (Table 1) is that of the nominal lug or ferrule size.
2. For flexible cables the next highest lug or ferrule size in relation to area (Table 1) must be used.
3. For compacted cable the heavy duty lugs and ferrules as shown in Tables 2 and 5 must be used.

DIMENSIONS



Cat No	Stock Code	Typical Conductors			mm	Nominal Dimensions mm							
		Nominal Lug Size mm ²	Circular Stranded mm ²	Flexible Stranded *** mm ²		Barrel			Spade				
						A I.D	B O.D	C Length	D Length	E Hole Pos.	F Width		
1.5/3	LS0010	1.5	3/0.82	1	3				9	4.5	7		
1.5/4	LS0020				4	1.9	3.8	7	12	4.5	7		
1.5/5	LS0030				5				12	4.5	8		
1.5/6	LS0040				6				13	5.5	9		
2.5/3	LS0060	2.5	7/0.69	1.5	3				8.5	4.5	7		
2.5/4	LS0070				4				12	4.5	7		
2.5/5	LS0080				5	2.4	3.9	7.3	12	4.5	9		
2.5/6	LS0090				6				13	5.5	9.5		
2.5/8	LS0100				8				15	7.5	12		
4/3	LS0110	4	7/0.88	2.5	3				9	4.5	7		
4/4	LS0120				4				12	4.5	7		
4/5	LS0130				5	2.8	4.7	8	12	4.5	8.5		
4/6	LS0140				6				13	5.5	10		
4/8	LS0150				8				17	6.5	13		
4/10	LS0160				10			11	19	7.5	14		
6/4	LS0170	6	7/1.08	4	4				12	4.5	7.5		
6/5	LS0180				5				12	4.5	8.5		
6/6	LS0190				6	3.4	5.3	8.5	13	5.5	9.5		
6/8	LS0200				8			9.3	17	7	13		
6/10	LS0210				10			11	19	7.5	15		
10/5	LS0220	10	7/1.38	6	5				10.5	12	4.5	9	
10/6	LS0230				6				10.5	13	6	10	
10/8	LS0240				8	4.4	6.3	11	17	7.5	13		
10/10	LS0250				10			11	19	7.5	15		
10/12	LS0260				12			12	20	10	19		
16/5	LS0270	16	7/1.79	10	5				13	5.5	10.5		
16/6	LS0280				6				13	5.5	11		
16/8	LS0290				8	5.5	7.6	12	18	7.5	13		
16/10	LS0300				10				20	7.5	15		
16/12	LS0310				12				25	10.5	18		
16/16	LS0320				16				27	13	24		
25/6	LS0330	25	19/1.33	16	6				16	6	14		
25/8	LS0340				8				17	8	14		
25/10	LS0350				10	6.9	9	15	18	8	16		
25/12	LS0360				12				21	11	18		
25/16	LS0370				16				27	13	24		
35/6	LS0380	35	14/1.57	25	6				15	18	8	16	
35/8	LS0390					8				15	18	9	16
35/10	LS0400		19/1.57			10	8.2	10.7	15	19	9	16	
35/12	LS0410					12				15	22	10	18
35/16	LS0420				16				16	30	13	24	

* Hole position to be specified by customer

** Stud sizes will be to customer requirements

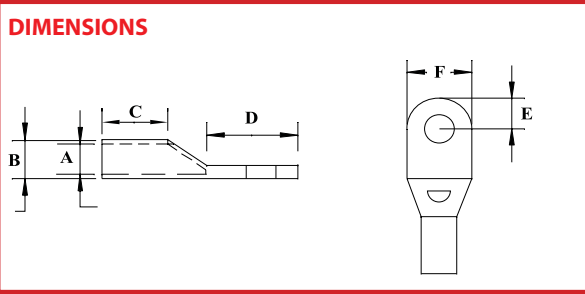
*** Use indent compression for Flexible Stranded



TABLE 1 (continued) - LUGS FOR COPPER CONDUCTOR/CABLE

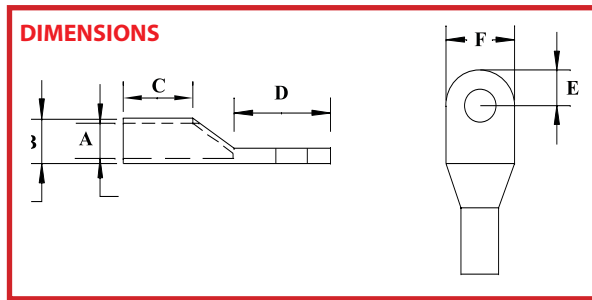
NOTE:

1. The nominal area of the circular stranded conductor (Table 1) is that of the nominal lug or ferrule size.
2. For flexible cables the next highest lug or ferrule size in relation to area (Table 1) must be used.
3. For compacted cable the heavy duty lugs and ferrules as shown in Tables 2 and 5 must be used.



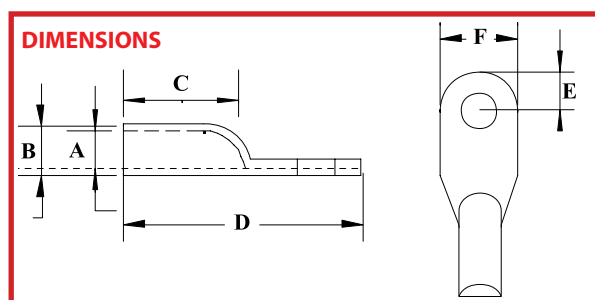
Cat No	Stock Code	Typical Conductors			Stud Size mm	Nominal Dimensions mm							
		Nominal Lug Size mm ²	Circular Stranded mm ²	Flexible Stranded *** mm ²		Barrel			Spade				
						A I.D	B O.D	C Length	D Length	E Hole Pos.	F Width		
50/6	LS0430	50	19/1.82	35	6			16	17	8	18		
50/8	LS0440						8			16	17	9	18
50/10	LS0450						10			17	24	10	20
50/12	LS0460					12	10	12.8	18	24	10	20	
50/16	LS0470				19/1.82		16		18	30	13	26	
50/20	LS0480						20		18	30	13	26	
70/8	LS0490	70	18/2.25	50	8			20.5	20	9.5	21		
70/10	LS0500					10			21	26	11	22	
70/12	LS0510		19/2.19			12	11.7	15	21	28	12	22	
70/16	LS0520					16			22	32	14	28	
70/20	LS0530					20			22	34	15	30	
95/8	LS0540	95	36/1.86	70	8				24	9.5	25		
95/10	LS0550					10				26	13	26	
95/12	LS0560		37/1.90			12	13.5	17.4	23	28	13	26	
95/16	LS0570					16				32	14	28	
95/20	LS0580					20				36	16	30	
120/10	LS0590	120	36/2.08	70/95	10				26	12	27		
120/12	LS0600					12	15.5	19.8	26	28	12	28	
120/16	LS0610		37/2.10			16				32	14	30	
120/20	LS0620					20				36	16	32	
150/10	LS0630	150	36/2.34	95/120	10				31	12	31		
150/12	LS0640					12	17	22	27	33	16	32	
150/16	LS0650		37/2.30			16				35	16	32	
150/20	LS0660					20				36	16	32	
185/10	LS0670	185	37/2.58	120/150	10				29	12.5	34		
185/12	LS0680						12	19	24.4	29	31	16	34
185/16	LS0690						16				34	16	36
185/20	LS0700						20				40	19	36
240/10	LS0710	240	61/2.30	150/185	10				36	16	40		
240/12	LS0720						12	21.5	27.7	33	36	16	40
240/16	LS0730						16				38	20	40
240/20	LS0740						20				42	20	40
300/0	LS0745	300	61/2.52	185/240					45	*	45		
300/10	LS0750						10				35	15	45
300/12	LS0760						12	24.5	31.3	35	35	15	45
300/16	LS0770						16				45	15	45
300/20	LS0780						20				45	18	45
400/0	LS0790	400	61/2.91	240/300					47	*	49		
400/16	LS0795						16				47	24	51
500/0	LS0800	500	91/2.67	300/400	**	31.6	40	41.5	54	*	58		
630/0	LS0810	630	127/2.54	400/500	**	34.5	44.6	53	65	*	64		
800/0	LS0820	800	127/2.87	630	**	40	51.2	68	75	*	73		
1000/0	LS0830	1000	127/3.22		**	44	56.6	75	75	*	81		

* Hole position to be specified by customer
 ** Stud sizes will be to customer requirements
 *** Use indent compression for Flexible Stranded


TABLE 2 - HEAVY DUTY LUGS FOR COPPER COMPACTED XLPE CABLE


Cat No	Stock Code	Nominal Lug Size mm ²	SABS 1339-2010 Nominal Dia Over Cond.	Stud Size mm	Nominal Dimensions mm					
					Barrel			Spade		
					A I.D	B O.D	C Length	D Length	E Hole Pos.	F Width
L35	XL0050	35	7.10	**	7.30	10.50	16.00	24.00	11.00	19.00
L50	XL0090	50	8.50	**	8.75	12.30	20.00	24.00	11.00	19.00
L70	XL0120	70	10.10	**	10.40	14.60	21.00	27.00	14.00	20.00
L95	XL0180	95	11.80	**	12.10	17.00	24.00	28.00	14.00	24.00
L120	XL0240	120	13.20	**	14.00	19.10	26.00	28.00	14.00	26.00
L150	XL0290	150	14.80	**	15.25	21.30	31.00	37.00	18.00	30.00
L185	XL0330	185	16.40	**	17.00	23.70	34.00	40.00	19.00	33.00
L240	XL0380	240	18.70	**	20.00	27.10	34.00	41.00	19.00	37.00
L300	XL0420	300	20.90	**	21.63	30.50	38.00	48.00	20.00	42.50
L400	XL0460	400	24.10	**	24.50	34.60	51.00	49.00	23.50	48.00
L500	XL0480	500	27.00	**	28.50	38.90	51.00	52.00	25.00	54.00
L630	XL0490	630		**	33.00	45.00	53.00	65.00	28.00	64.00

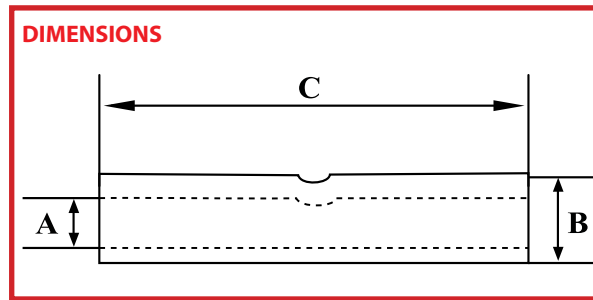
** Stud sizes will be to customer requirements

TABLE 3 - COPPER SOLDER LUGS


Cat No	Stock Code	Nominal Lug Size mm ²	Stud Size mm	Barrel			Overall	Spade	
				A	B	C	D	E	F
				I.D	O.D	Length	Length	Hole Pos.	Width
60AMP	SL5010	50	10	9.55	11.36	15.00	47.00	9.60	17.00
100AMP	SL5020	70	11	11.88	13.96	17.00	59.00	12.80	20.50
150AMP	SL5030	95	12	14.30	17.20	20.00	68.00	14.20	25.50
200AMP	SL5040	120	14	16.70	19.90	28.00	78.00	17.60	29.50
300AMP	SL5060	150	17	20.65	24.40	33.00	87.00	20.70	36.00
400AMP	SL5070	240	20	23.80	27.86	36.00	104.00	23.80	41.50
500AMP	SL5080	300	21	26.18	31.50	40.00	108.00	27.20	46.00

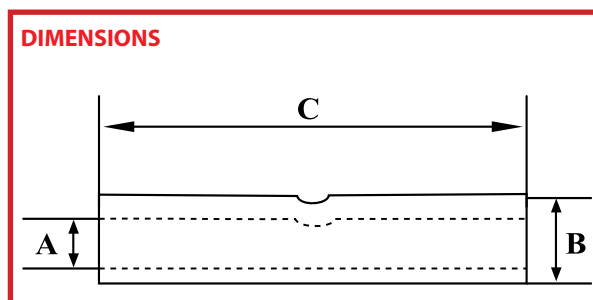


TABLE 4 - FERRULES FOR COPPER CONDUCTOR/CABLE

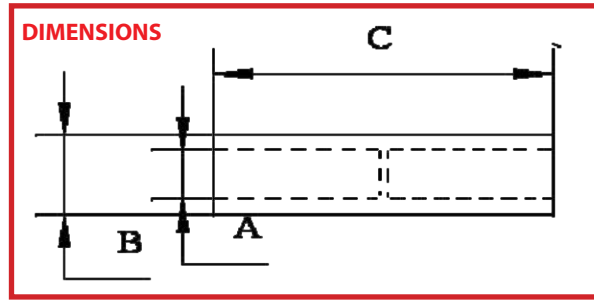


Cat No	Stock Code	Nominal Dimensions mm			Typical Conductors Circular Stranded mm	Nominal Sleeve Size mm ²
		A I.D	B O.D	C Length		
F1.5	FS0010	1.9	3.8	13.	03/0.82	1.5
F2.5	FS0020	2.4	3.9	14.0	7/0.69	2.5
F4	FS0030	2.8	4.7	16.0	7/0.86	4
F6	FS0040	3.4	5.3	18.0	7/1.08	6
F10	FS0050	4.4	6.3	20.0	7/1.38	10
F16	FS0060	5.5	7.6	22.0	7/1.79	16
F25	FS0070	6.9	9	25.0	18/1.33	25
F35	FS0080	8.2	10.7	28.0	18/1.57	35
F50	FS0090	10	12.8	31.0	19/1.82	50
F70	FS0100	11.7	15	35.0	19/2.19	70
F95	FS0110	13.5	17.4	39.0	37/1.90	95
F120	FS0120	15.5	19.8	43.0	37/2.10	120
F150	FS0130	17	22	48.0	37/2.30	150
F185	FS0140	19	24.4	54.0	37/2.58	185
F240	FS0150	21.5	27.7	60.0	61/2.30	240
F300	FS0160	24.5	31.3	67.0	61/2.52	300
F400	FS0170	27.5	35.6	80.0	62/2.91	400
F500	FS0180	31.6	40	90.0	91/2.67	500
F630	FS0190	34.5	44.6	110.0	127/2.54	630
F800	FS0200	40	51.2	130.0	127/2.87	800
F1000	FS0210	44	56.6	154.0	127/3.22	1000

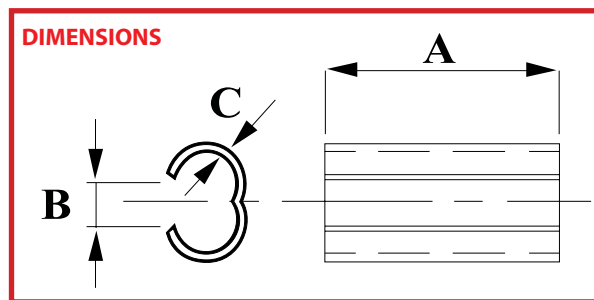
TABLE 5 - HEAVY DUTY FERRULES FOR COPPER COMPACTED XLPE CABLE



Cat No	Stock Code	Nominal Dimensions mm			Nominal Sleeve Size mm ²
		A I.D	B O.D	C Length	
F35	XF0020	7.30	10.50	38.00	35.00
F50	XF0030	8.75	12.30	42.00	50.00
F70	XF0040	10.40	14.60	43.00	70.00
F95	XF0050	12.10	17.00	45.00	95.00
F120	XF0060	14.00	19.10	55.00	120.00
F150	XF0070	15.25	21.30	58.00	150.00
F185	XF0080	17.00	23.70	64.00	185.00
F240	XF0090	20.00	27.10	70.00	240.00
F300	XF0100	21.63	30.50	75.00	300.00
F400	XF0110	24.50	34.60	80.00	400.00
F500	XF0120	28.50	38.90	90.00	500.00
F630	XF0130	33.00	45.00	100.00	630.00


TABLE 6 - SOLID CENTRE (BARRIER) FERRULES


Cat No	Stock Code	Nominal Dimensions mm			Typical Conductors Circular Stranded mm	Nominal Sleeve Size mm ²
		A I.D	B O.D	C Length		
F10	SS0020	4.4	6.3	26	7/1.36	10
F16	SS0030	5.5	7.6	31	7/1.72	16
F25	SS0040	6.9	9	32	18/1.35	25
F35	SS0050	8.2	10.7	38	18/1.59	35
F50	SS0060	10	12.8	42	18/1.90	50
F70	SS0070	11.7	15	44	18/2.25	70
F95	SS0080	13.5	17.4	46	36/1.86	95
F120	SS0090	15.5	19.8	55	36/2.08	120
F150	SS0100	17	22	58	36/2.34	150
F185	SS0110	19	24.4	64	36/2.59	185
F240	SS0120	21.5	27.7	68	60/2.23	240
F300	SS0130	24.5	31.3	80	60/2.55	300

TABLE 7 - WEAKBACK FERRULES FOR COPPER CONDUCTOR/CABLE


Size	Stock Code	A	B	C
16	WF 0010	26	7	0.70
25	WF 0020	30	8	1.05
35	WF 0030	36	12	1.25
50	WF 0040	45	14	1.40
70	WF 0050	46	16	1.65
95	WF 0060	51	17	1.95
120	WF 0070	56	20	2.15
150	WF 0080	61	21	2.50
185	WF 0090	69	22	2.70
240	WF 0100	80	23	3.10
300	WF 0110	90	24	3.40
400	WF 0120	96	28	4.05



SPECIAL APPLICATION LUGS AND FERRULES

Special application products can be developed to suit a customer's specific application.

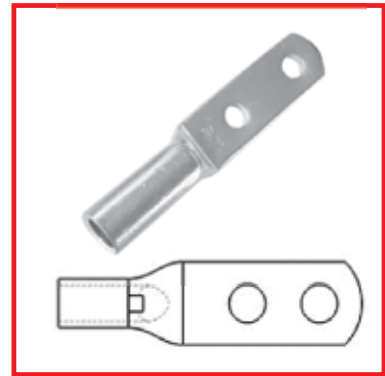
Examples of these are detailed below which are manufactured to the customer's dimensions.



90° Outward Spade



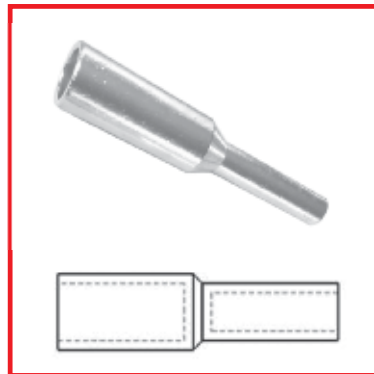
90° Inward Spade



Long Spade Double Hole



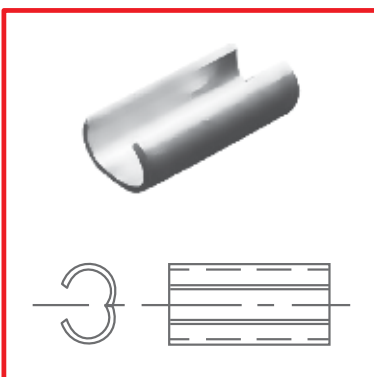
Angled Spade



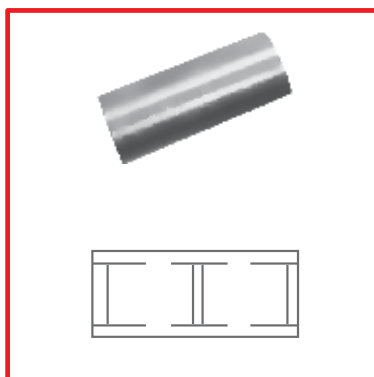
Reducing Ferrule



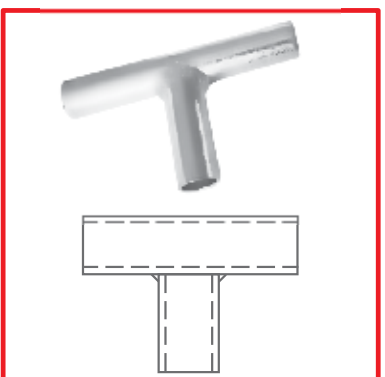
Tapered ferrule



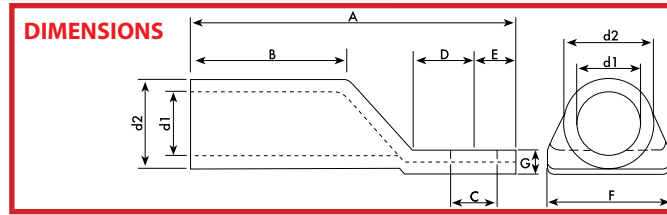
Weakback Ferrule



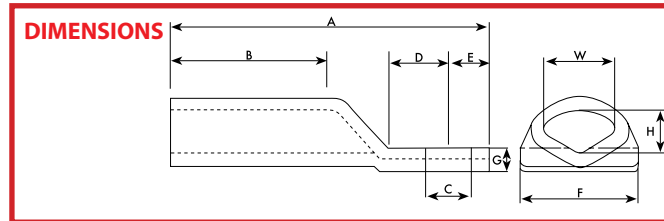
Solid Centre Ferrule



T Ferrule Brazed


TABLE 1A - ALUMINIUM ROUND LUGS FOR STRANDED CONDUCTOR


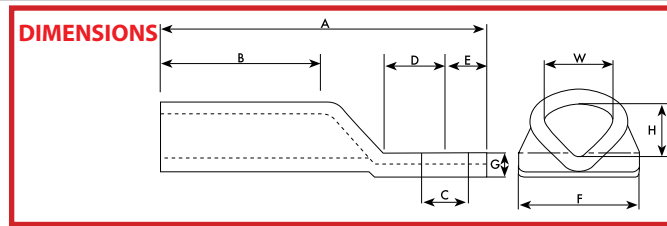
Cable mm ²	Stud Size	Catalogue Number	A	B	C	D	E	Palm Width "F"	Palm Thick "G"	dl	d2
25	8	AL0-25-8	65	28	8.4	17	12	17.0	4.0	7.0	11.3
	10	AL0-25-10			10.4						
	12	AL0-25-12			12.5						
35	8	AL0-35-8	70	30	8.4	17	12	21.0	3.5	8.3	12.9
	10	AL0-35-10			10.4						
	12	AL0-35-12			12.5						
50	10	AL0-50-10	70	32	10.4	17	12	20.0	4.5	9.9	14.7
	12	AL0-50-12			12.5						
	16	AL0-50-16			16.5			24.5	3.5		
70	10	AL0-70-10	78	36	10.4	17	12	25.0	5.0	11.7	17
	12	AL0-70-12			12.5						
	16	AL0-70-16			16.5						
95	10	AL0-95-10	85	39	10.4	17	12	28.5	5.5	13.7	19.7
	12	AL0-95-12			12.5						
	16	AL0-95-16			16.5						
120	10	AL0-120-10	92	45	10.4	17	12	31.0	6.5	15.3	22.2
	12	AL0-120-12			12.5						
	16	AL0-120-16			16.5						
150	12	AL0-150-12	103	48	12.5	20	16	35.0	7.0	17.2	24.7
	16	AL0-150-16			16.5						
	20	AL0-150-20			20.5						
185	12	AL0-185-12	110	53	12.5	20	16	38.0	7.5	19.0	27.3
	16	AL0-185-16			16.5						
	20	AL0-185-20			20.5						
240	On	AL0-240-0	118	57	On	22	18	43.5	9.0	21.8	31
300	Request	AL0-300-0	132	62	Request	25	20	49.0	9.5	24.9	35

TABLE 2A - ALUMINIUM 3 CORE SECTOR SHAPED CABLE LUGS FOR SOLID CONDUCTOR


Cable mm ²	Stud Size	Catalogue Number	A	B	C	D	E	Palm Width "F"	Palm Thick "G"	Height "H"	Width "W"
25	8	AL3-25-8	65	28	8.4	17	12	15.0	4.0	5.20	8.73
	10	AL3-25-10			10.4						
	12	AL3-25-12			12.5			21.0	3		
35	8	AL3-35-8	70	30	8.4	17	12	17.5	4.5	5.90	10.05
	10	AL3-35-10			10.4						
	12	AL3-35-12			12.5			21.0	3.5		
50	10	AL3-50-10	70	32	10.4	17	12	22.0	4.5	7.50	11.85
	12	AL3-50-12			12.5						
	16	AL3-50-16			16.5			26.0	3.5		
70	10	AL3-70-10	78	36	10.4	17	12	24.0	5.0	8.50	14.10
	12	AL3-70-12			12.5						
	16	AL3-70-16			16.5			26.0	4.5		
95	10	AL3-95-10	82	39	10.4	17	12	28.0	6.0	9.55	16.35
	12	AL3-95-12			12.5						
	16	AL3-95-16			16.5						
120	10	AL3-120-10	88	45	10.4	17	12	31.0	6.5	11.05	18.50
	12	AL3-120-12			12.5						
	16	AL3-120-16			16.5						
150	12	AL3-150-12	100	48	12.5	20	16	34.0	7.0	12.15	20.60
	16	AL3-150-16			16.5						
	20	AL3-150-20			20.5						
185	12	AL3-185-12	106	53	12.5	20	16	38.0	8.0	13.40	22.40
	16	AL3-185-16			16.5						
	20	AL3-185-20			20.5						
240	On	AL3-240-0	118	57	On	22	18	43.5	8.5	15.55	26.05
300	Request	AL3-300-0	132	62	Request	25	20	49.0	10.0	17.35	29.00

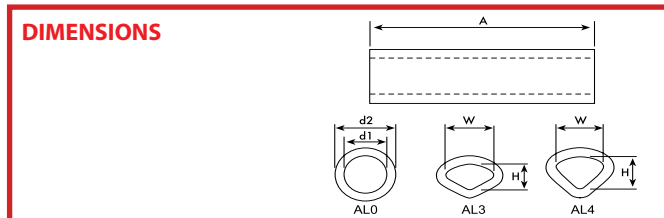


TABLE 3A - ALUMINIUM 4 CORE SECTOR SHAPED CABLE LUGS FOR SOLID CONDUCTOR



Cable mm ²	Stud Size	Catalogue Number	A	B	C	D	E	Palm Width "F"	Palm Thick "G"	Height "H"	Width "W"
25	8	AL3-25-8	65	25	8.4	17	11	15.0	4.0	5.80	7.88
	10	AL3-25-10			10.4						
	12	AL3-25-12			12.5						
35	8	AL3-35-8	70	30	8.4	17	11	17.5	4.5	7.10	9.70
	10	AL3-35-10			10.4						
	12	AL3-35-12			12.5						
50	10	AL3-50-10	70	32	10.4	17	12	20.0	4.5	7.90	10.80
	12	AL3-50-12			12.5						
	16	AL3-50-16			16.5						
70	10	AL3-70-10	78	36	10.4	17	12	23.0	5.0	9.30	13.00
	12	AL3-70-12			12.5						
	16	AL3-70-16			16.5						
95	10	AL3-95-10	85	39	10.4	17	12	27.5	5.7	10.85	15.10
	12	AL3-95-12			12.5						
	16	AL3-95-16			16.5						
120	10	AL3-120-10	88	45	10.4	17	12	31.0	6.5	12.50	17.00
	12	AL3-120-12			12.5						
	16	AL3-120-16			16.5						
150	12	AL3-150-12	100	48	12.5	20	16	34.5	7.2	13.80	18.80
	16	AL3-150-16			16.5						
	20	AL3-150-20			20.5						
185	12	AL3-185-12	106	53	12.5	20	16	38.5	8.0	15.25	21.00
	16	AL3-185-16			16.5						
	20	AL3-185-20			20.5						
240	On	AL3-240-0	118	57	On	22	18	43.5	8.5	17.355	23.08
300	Request	AL3-300-0	132	62	Request	25	20	49.0	9.7	19.50	26.40

TABLE 4A - ALUMINIUM FERRULES



Cable mm ²	Catalogue Numbers	d1	d2	Catalogue Numbers	H	W	Catalogue Numbers	H	W	A
	Stranded			3-Core Sectorial			4-Core Sectorial			
25	AL0-F-25	7.0	11.3	AL3-F-25	5.20	8.73	AL4-F-25	5.80	7.88	66
35	AL0-F-35	8.3	12.9	AL3-F-35	5.90	10.05	AL4-F-35	7.10	9.70	70
50	AL0-F-50	9.9	14.7	AL3-F-50	7.50	11.85	AL4-F-50	7.90	10.80	74
70	AL0-F-70	11.7	17	AL3-F-70	8.50	14.10	AL4-F-70	9.30	13.00	78
95	AL0-F-95	13.7	19.7	AL3-F-95	9.55	16.35	AL4-F-95	10.85	15.10	84
120	AL0-F-120	15.3	22.2	AL3-F-120	11.05	18.50	AL4-F-120	12.50	17.00	91
150	AL0-F-150	17.2	24.7	AL3-F-150	12.15	20.60	AL4-F-150	13.80	18.80	102
185	AL0-F-185	19.0	27.3	AL3-F-185	13.40	22.40	AL4-F-185	15.25	21.00	108
240	AL0-F-240	21.8	31	AL3-F-240	15.55	26.05	AL4-F-240	17.35	23.80	118
300	AL0-F-300	24.9	35	AL3-F-300	17.35	29.00	AL4-F-300	19.50	26.40	130