

SPECIAL PURPOSE BATTERY TOOL

Electric Cable Cutter Head

These models need to be cooperated with Electric Drill

PC-40H
PC-40AH

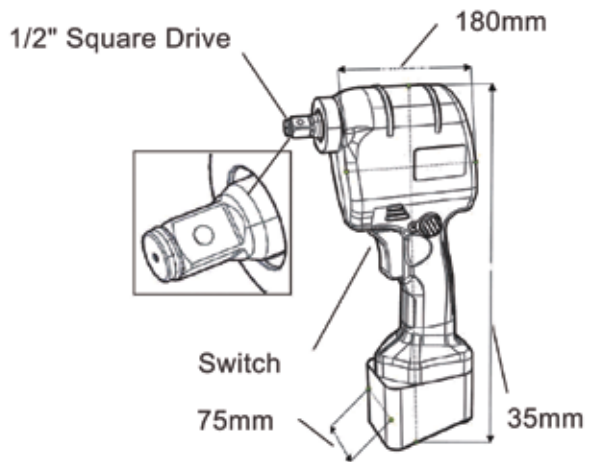


General Specification	
Weight	2.8kgs
Dimension	220(L)*220(W)*90(H)mm

Model No.	
PC-40H	PC-40AH
Cutting Range	
AL & CU Ø40mm(400mm ²)	ACSR Ø28mm

Battery Shear Bolt Impact Wrench

ESB-3G



General Specification	
Voltage	DC 14.4V
Capacity	3Ah
Torque	196N.m
Speed	0-2,200.-rpm
Feature	1/2" Square Drive
Dimension	350(L)*180(W)*75(H)mm
Weight	1.7kgs (Without Battery)

