

● Basic functions

Safety Chuck is a quick coupling used in shafted center wind and center unwind applications and saves loading unloading time. Since driving mechanism (sprocket) does not need every time to be removed while changing core holding shaft, it gives maintenance free working. So far, Niika offer various size of Flange and Pillow (Pedestal) model safety chuck for our globe customers.

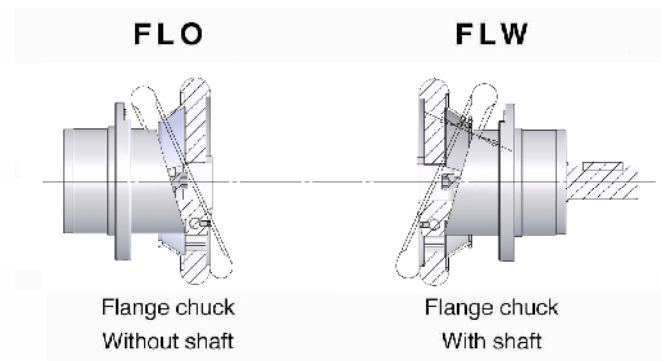
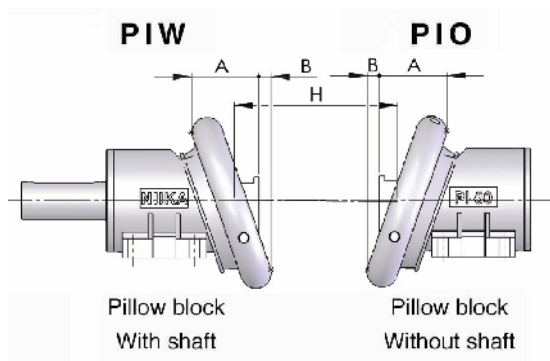
● FEATURE

Safety Chucks provide for quick change at the end of a production run (either winding or unwinding). Less down time during turn around, the more cost efficient is your operation. They provide a means of transmitting torque to the roll you are winding/unwinding. Torque in the form of a drive on the rewind end of the operation and torque from a brake on the unwind side

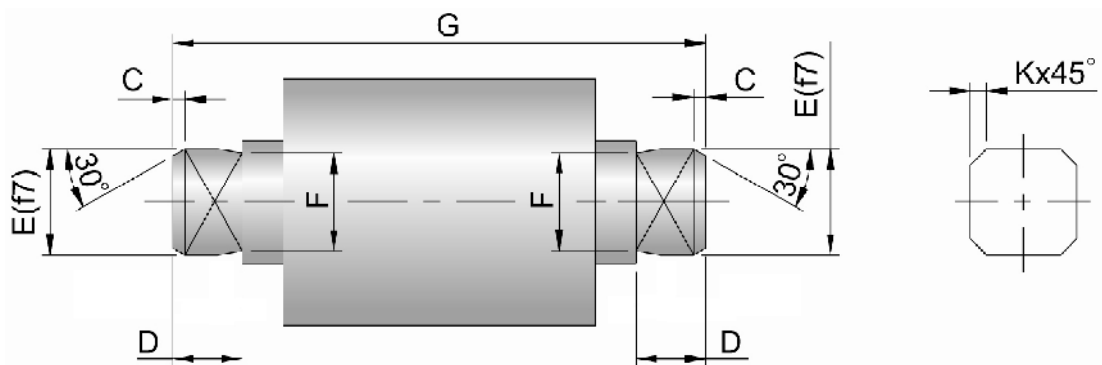


● Safety Chuck Type

PIO / PIW



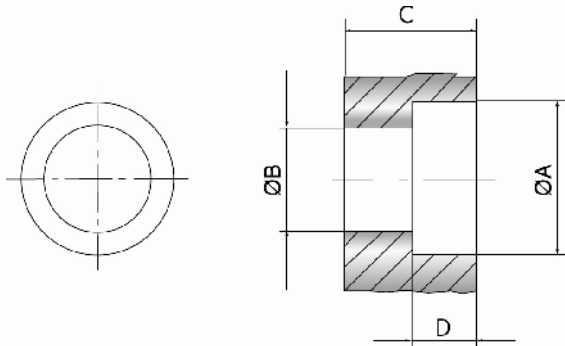
● Winding Shaft Tolerances



SIZE	A	B	C	D	E (f7)	E-F	H-G	K
Type 19	54	9	3	24	19-25	0.1	0.5	1
Type 28	61	8	4	28	25.30	0.15	0.5	1
Type 35	73	13	5	30	32.38.40	0.2	0.5	1.5
Type 50	81	13	5	32	40.45.50	0.3	0.5	2

NIIKA Limited reserves the right to modify or change the design without prior notice.

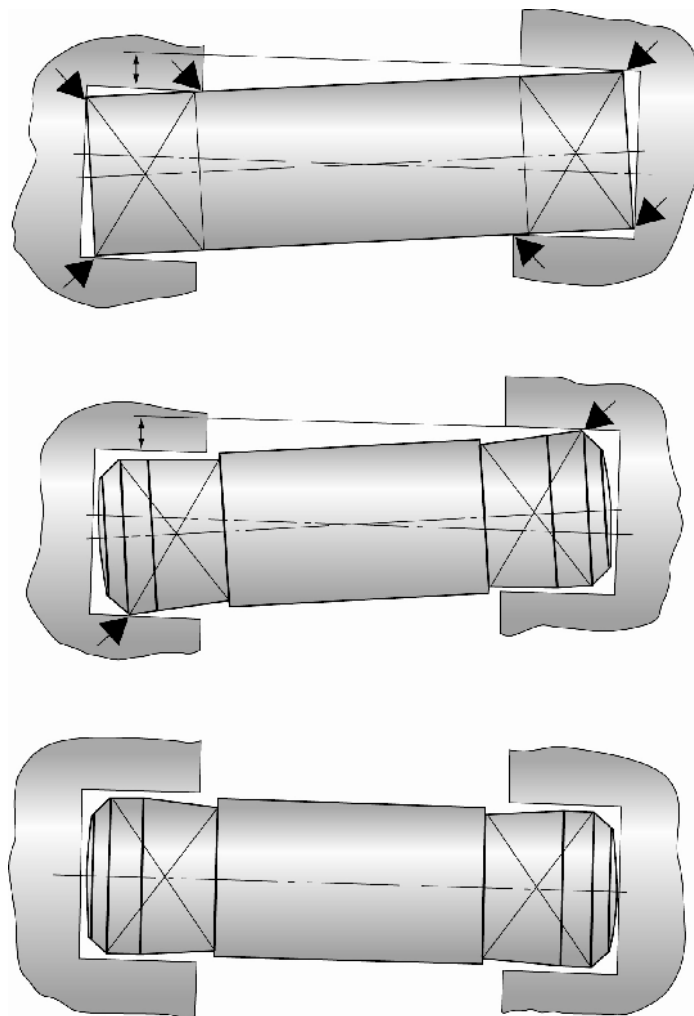
On customers request we are manufacturing the countersinks for flange mounted chucks as follows:



SIZE	A	B	C	D
FLOW 19	15	9	12	5
FLOW 28	18	11	15	7
FLOW 35	20	13	16	8
FLOW 50	26	18	22	10.5

● **Assembly instruction**

In order to protect your chucks against increased wear it is necessary to have a perfect alignment of the chucks. Any misalliance of the unit cuts down on the life of your shaft and safety chuck. The factory cannot provide any warranty if the chucks are not mounted as we recommend.



PIO/W FLOW19

Pillow block and Flange chucks

NIIKA®

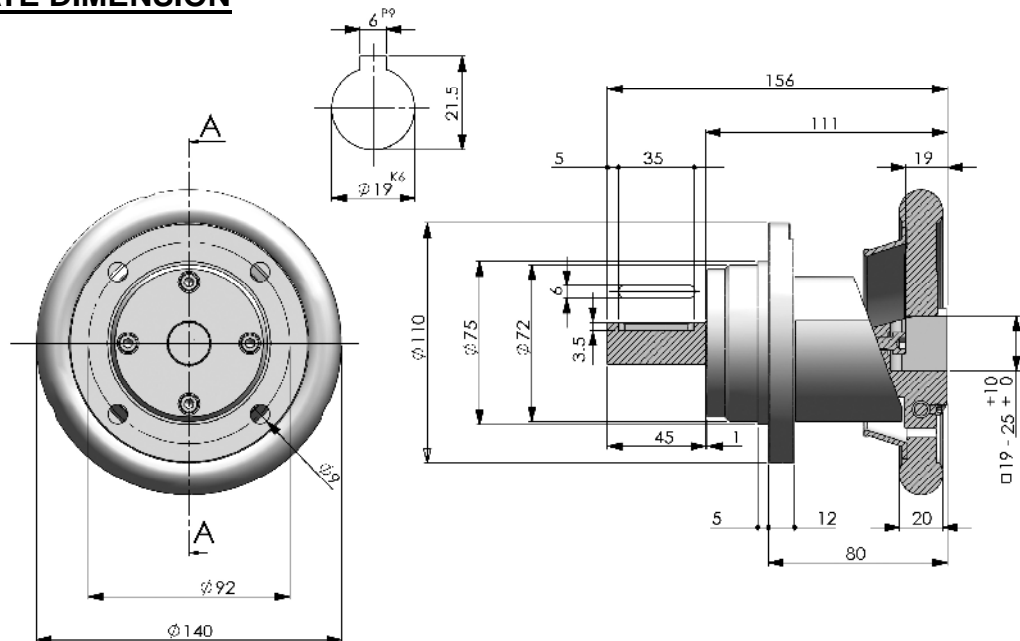
Size	PIO/W 19-FLOW 19
Maximum load	300 KG
Maximum torque allowed	12 kg m
Standard square bar size	19-25 mm
Unit Weight	9 kg



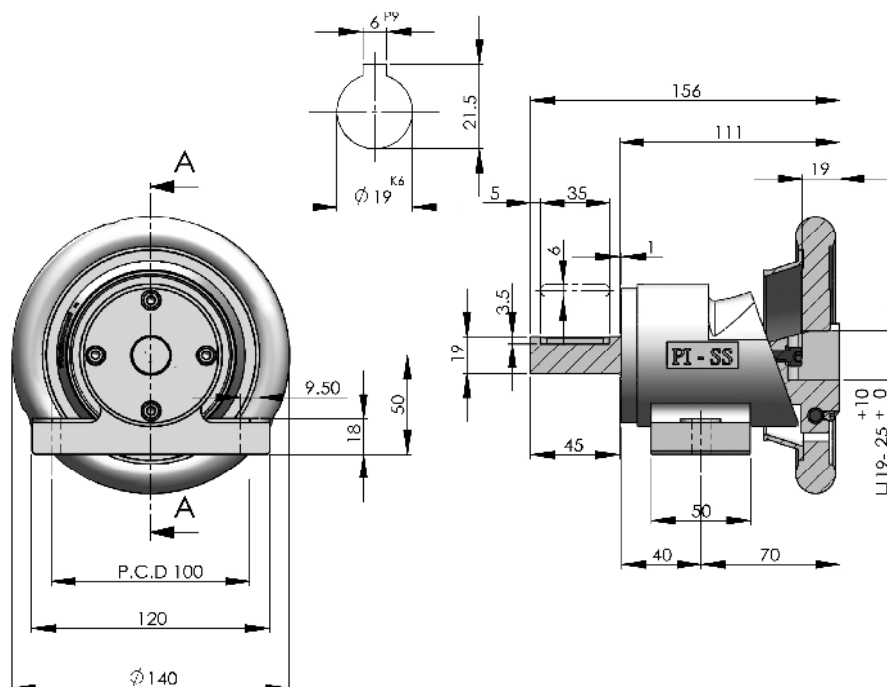
Our standard shaft diameter is Ø19 length 45 MM and can modify to meet your requirement

APPROXIMATE DIMENSION

FLO / FLW 19



PIO / PIW 19



NIIKA Limited reserves the right to modify or change the design without prior notice.

PIO/W FLOW28

Pillow block and Flange chucks

NIKA®

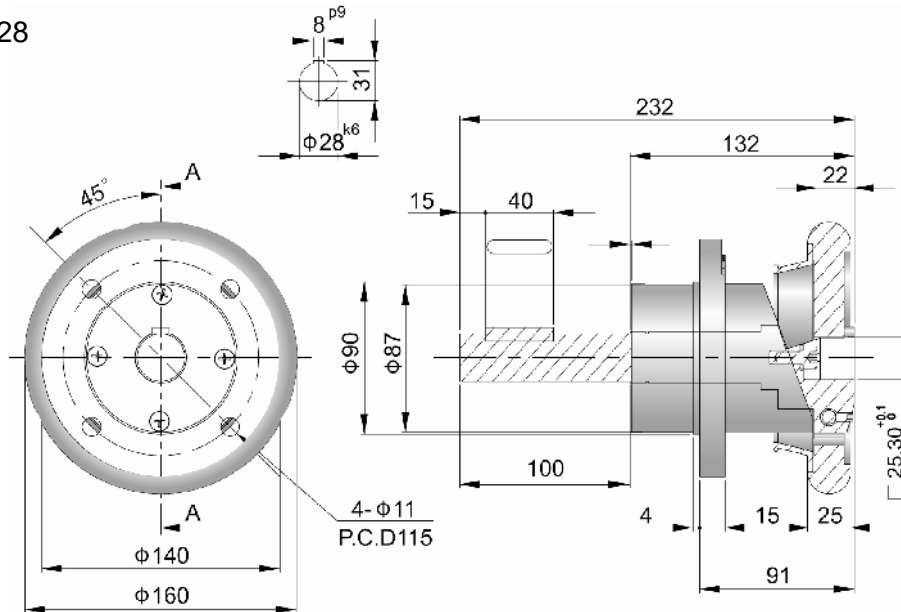
Size	PIO/W 28-FLOW 28
Maximum load	800 KG
Maximum torque allowed	18 kg m
Standard square bar size	25 30 mm
Unit Weight	18 kg



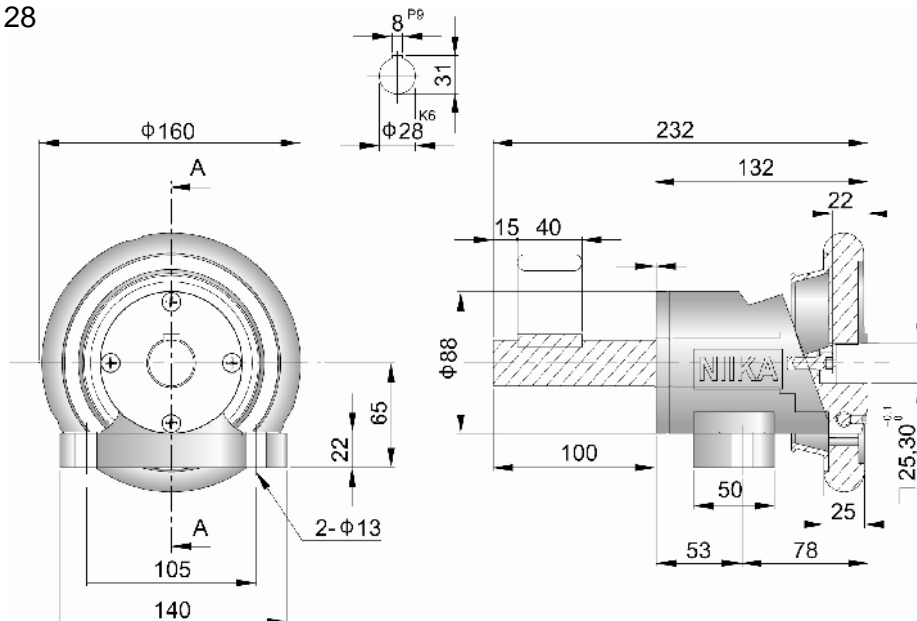
Our standard shaft diameter is Ø28 length 100 MM and can modify to meet your requirement

APPROXIMATE DIMENSION

FLO / FLW 28



PIO / PIW 28



NIKA Limited reserves the right to modify or change the design without prior notice.

PIO/W FLOW35

Pillow block and Flange chucks

NIIKA®

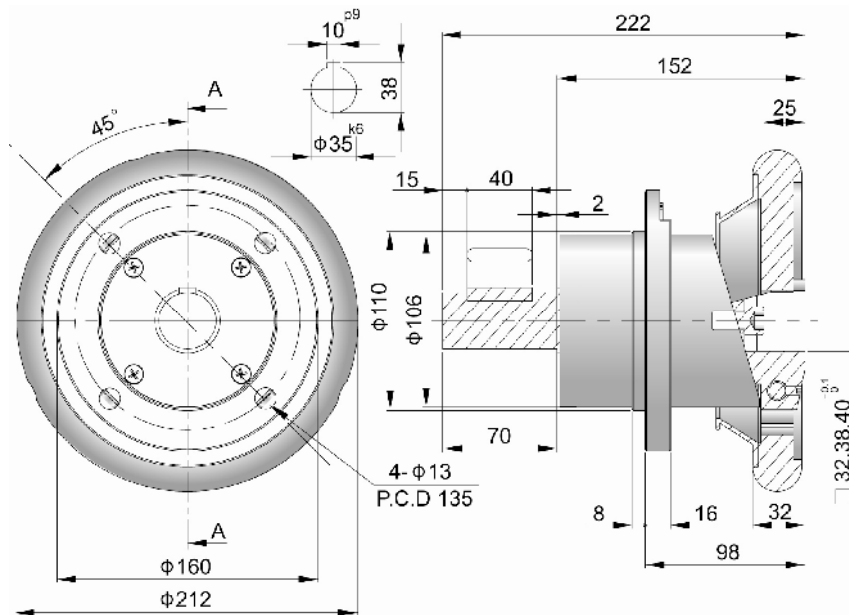
Size	PIO/W 35-FLOW 35
Maximum load	1600 KG
Maximum torque allowed	35 kg m
Standard square bar size	32 38 40 mm
Unit Weight	27 kg



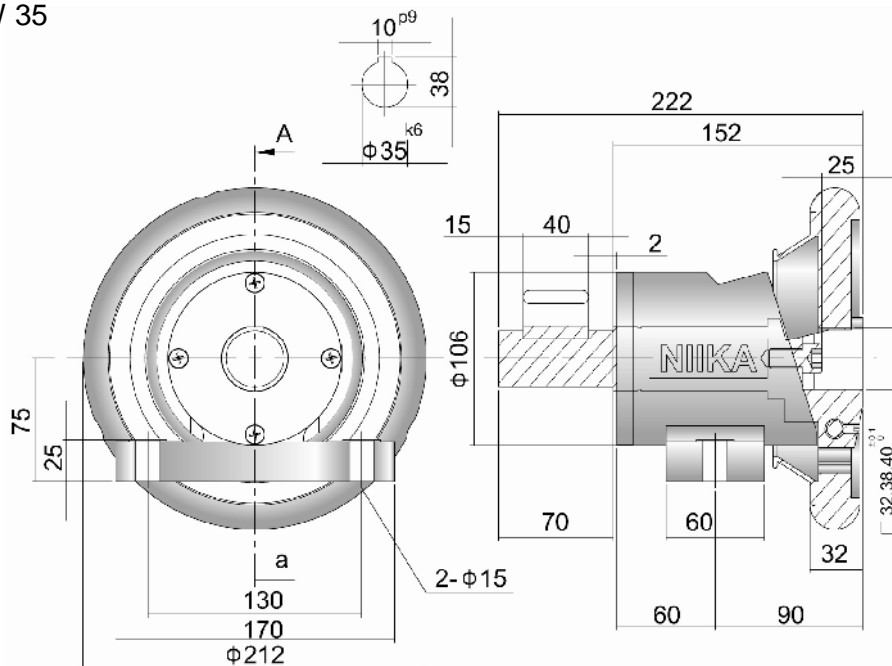
Our standard shaft diameter is Ø35 length 70 MM and can modify to meet your requirement

APPROXIMATE DIMENSION

FLO / FLW 35



PIO / PIW 35



NIIKA Limited reserves the right to modify or change the design without prior notice.

PIO/W FLOW50

Pillow block and Flange chucks

NIKA®

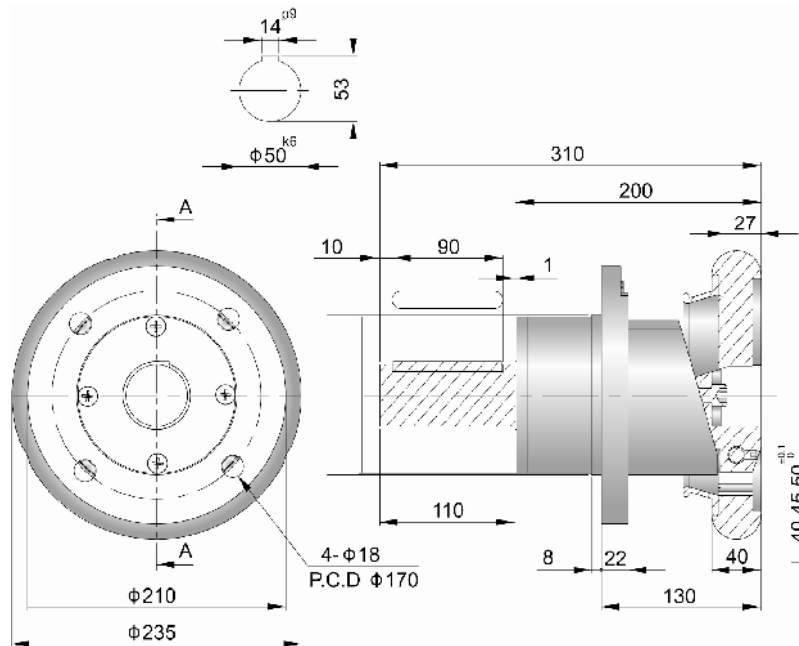
Size	PIO/W 50-FLOW 50
Maximum load	2800 KG
Maximum torque allowed	110 kg m
Standard square bar size	40 45 50 mm
Unit Weight	53 kg

Our standard shaft diameter is Ø50 length 110 MM and can modify to meet your requirement

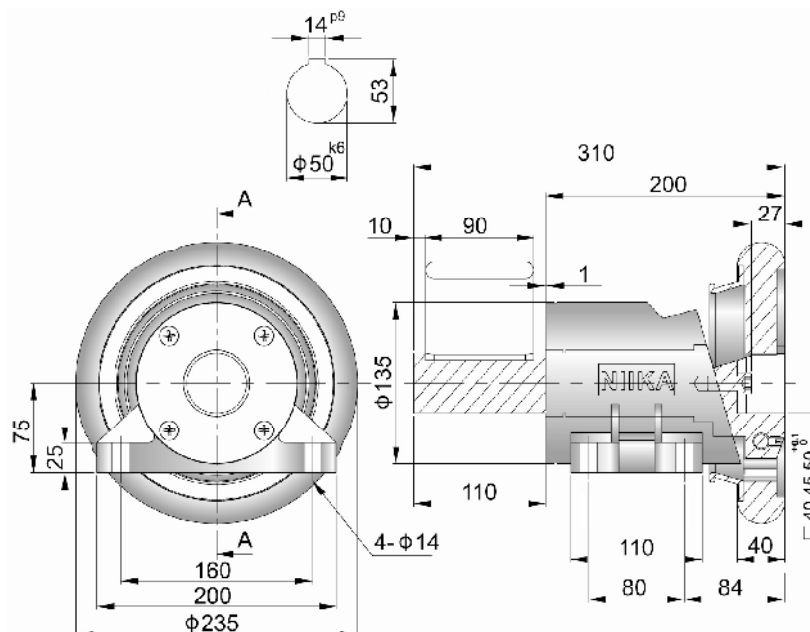


APPROXIMATE DIMENSION

FLO / FLW 50



PIO / PIW 50



NIKA Limited reserves the right to modify or change the design without prior notice.

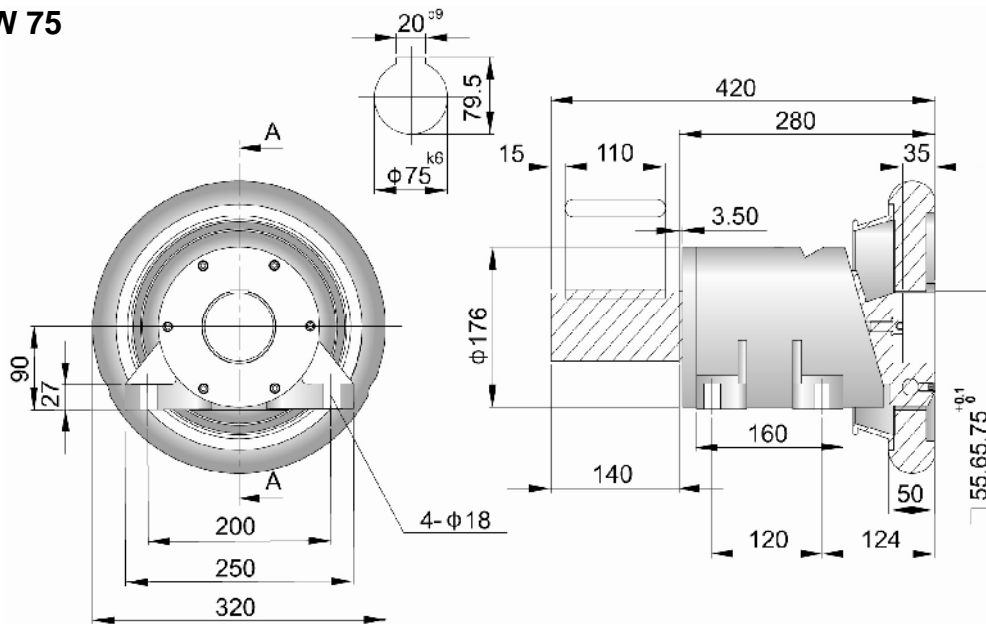
Size	PI0/W 75
Maximum load	7000 KG
Maximum torque allowed	235 kg m
Standard square bar size	55 65 75 mm
Unit Weight	120 kg



Our standard shaft diameter is Ø75 length 140 MM and can modify to meet your requirement

DIMENSION

PI0 / PIW 75



NIKA Limited reserves the right to modify or change the design without prior notice.

NEW TYPE: 45 DEGREE ENTRY AVAILABLE

- HIGHT SPEED WITHOUT NOISY
- EASY LOADING OF SHAFT

