

Movoact TC16 is designed to be used in domestic, medical and office environments, as well as in disability equipment. Some typical applications are among reclining beds, dental chairs, adjustable computer tables, X-ray equipment, wheelchairs, fitness equipment and in the adaptation of vehicles for the disabled.



- Adjustable chairs**
- Dental chairs
 - Barber chairs
 - Make up chairs

Hospital equipment

- X-ray machines
- Operating tables
- Hospital beds
- Massage tables
- Patient lifts



Handicap equipment

- Lifting aids
- Adaptation of vehicles for the disabled



- Furniture**
- Desks
 - Tables



- Health and fitness equipment**
- Training machines



Wheelchairs

www.LinearActuators.com

www.LinearActuators.com

OFFICES

France
Danaher Motion S.A.S.
C.P. 80018
12, Rue Antoine Becquerel - Z.I. Sud
Bâtiment Paul Tiger 2
F-72026 Le Mans Cedex 2
Tel. +33 (0)2 43 50 03 30
Fax. +33 (0)2 43 50 03 39
E-mail helpdesk@tollo.com

Germany
Danaher Motion GmbH
Postfach 1153
D-72645 Wolfschlugen
Tel. +49 (0)180 5 24 67 90
Fax. +49 (0)180 5 24 40 85
E-mail helpdesk@tollo.com

Spain
Danaher Motion
Tollo Linear Spain
Badal, 29-31 7th, 1st
08014 Barcelona
Tel. +34 (0) 9329 80278
Fax. +34 (0) 9329 80278
E-mail helpdesk@tollo.com

Sweden
Danaher Motion
Tollo Linear AB
Box 9053
SE-291 09 Kristianstad
Tel. +46 (0)44 24 67 00
Fax. +46 (0)44 24 40 85
E-mail helpdesk@tollo.com

United Kingdom
Danaher Motion
Fishleigh Road
Roundswell Business Park
Barnstaple, Devon
EX31 3UD
Tel. +44 (0)1271 334500
Fax. +44 (0)1271 334502
E-mail LMSEurope@danahermotion.com

U.S.A.
Danaher Motion
45 Hazelwood Drive
Amherst, New York
Tel. +1-716-691-9100
Fax. +1-716-691-9196
E-mail info@danahermcg.com

BRANDS

Thomson
Thomson Tollo
Micron
Deltran PT

DISTRIBUTORS

Most products are available through authorised local distributors. Please visit our web site for further information or contact your nearest office. Distributors are located in the following countries:

Australia	Germany	Netherlands	Spain
Austria	Hong Kong	Norway	Sweden
Belgium	India	Poland	Switzerland
Denmark	Ireland	Portugal	Thailand
England	Israel	Scotland	Taiwan
Finland	Italy	Singapore	Turkey
France	Japan	South Africa	U.S.A.

Your distributor

DANAHER MOTION is a trademark.
Danaher Motion makes every attempt to ensure accuracy and reliability of the specifications in this publication. Specifications are subject to change without notice. Danaher Motion provides this information "AS IS" and disclaims all warranties, express or implied, including, but not limited to, implied warranties of merchantability and fitness for a particular purpose. It is the responsibility of the product user to determine the suitability of this product for a specific application.
© April, 2004 Danaher Motion

DW110495gb-0413
Tollo Linear AB, Printed in Sweden

The new Thomson Movoact TC16 is another product innovation from Danaher Motion. The TC16 will make the utilisation of linear motion products easier. It has all the hallmarks that you would expect from a Thomson actuator; quality, easy installation and long, trouble free life.

Designed to suit many applications, the Movoact TC16 will fit perfectly into all kinds of medical, disability, rehabilitation and health and fitness equipment. With a low retracted versus stroke length ratio, the Movoact TC16 is the ideal product for applications that demand a high load in a space critical environment.

The innovative and aesthetic design of the aluminium extrusions allows the Movoact TC16 to be a visible component. This will eliminate the need for cover plates or enclosures thus reducing material cost, assembly time and in addition, it makes servicing easy.

The Movoact TC16 is built around a unique combination of double-telescoping lead screws with a belt driven gear and the latest in motor technology. This unique design ensures quiet operation in a highly efficient package, giving a high load capacity with minimum current consumption.

The guiding technology between the aluminium extrusions offers smooth, quiet, rigid and maintenance free operation. The innovative design utilises the latest anti-friction material giving a high moment load capability in a very small envelope.

Please contact your nearest Danaher Motion office, where we will be more than happy to provide you with additional information on the Movoact TC16 and how it can help to improve on your existing designs.

Telescopic Lifting Column



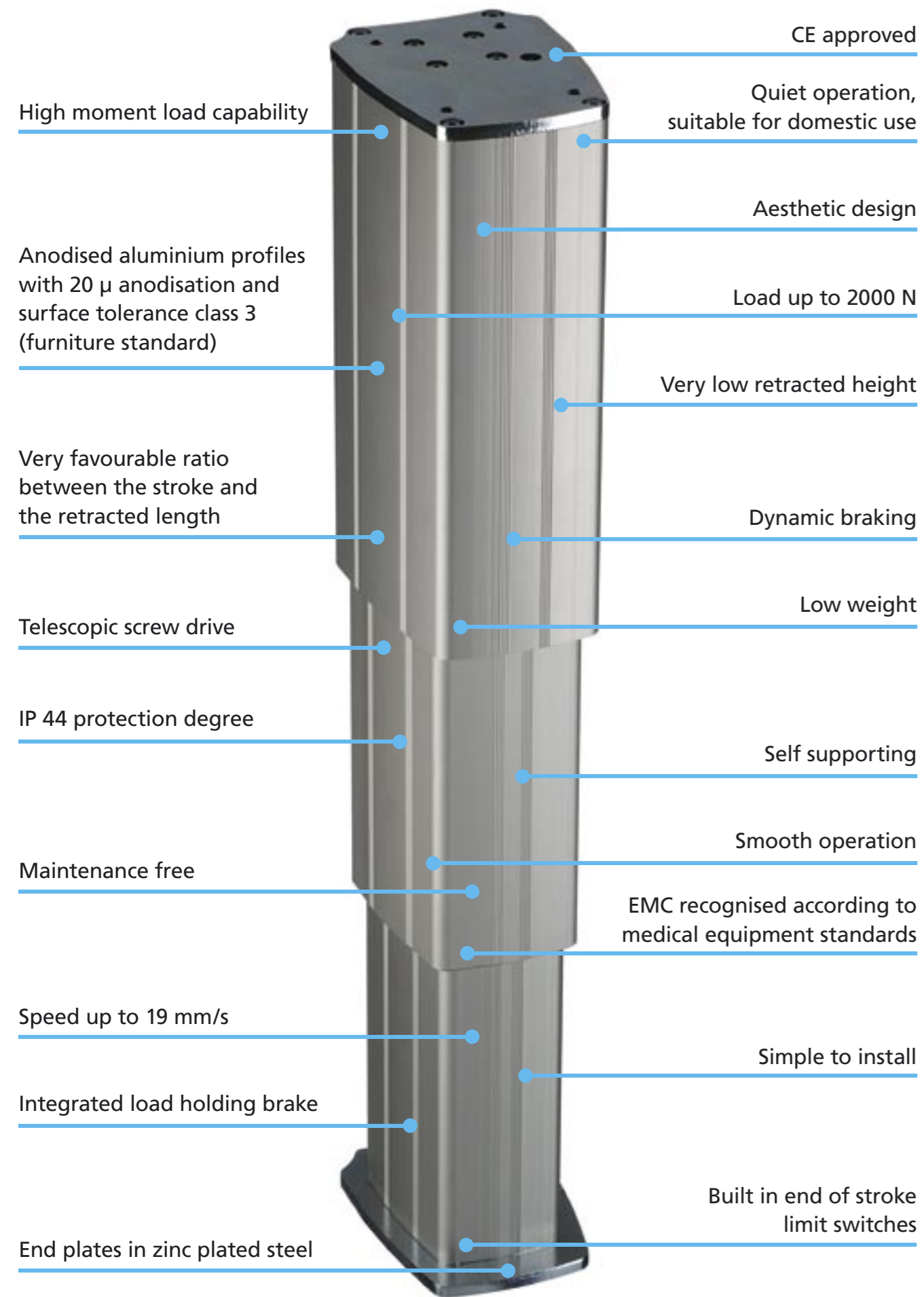
New Unique Product!

- Telescopic motion
- Fast, quiet and light weight
- Modern aluminium extrusion design
- Favourable ratio between the stroke and the retracted length minimises space required.

Movoact TC16



Overview



Technical Data

Technical data



Input voltage [Vdc]	24
Max. current draw [A]	8
Max. speed [mm/s]	19
Screw type	Trapezoidal
Max. load [N]	2000
Max. static load torque [Nm]	500
Max. dynamic load torque [Nm]	150
Min. / max. standard stroke [mm]	200 / 400
Duty cycle @ 20° C [%]	15
Max. on time @ 20° C [s]	60
Temperature limits at operation [°C]	0 to + 40
Weight [kg]	8,7 - 13
Protection degree	IP44
End of stroke protection	internal limit switches
Wire cross section [mm²]	1,5
Wire length [mm]	1000
Connector included	no

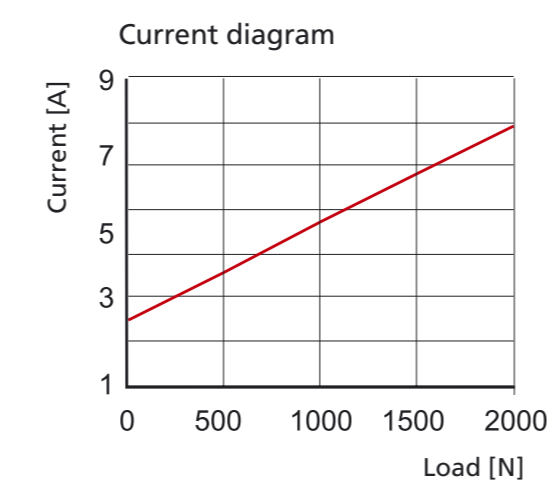
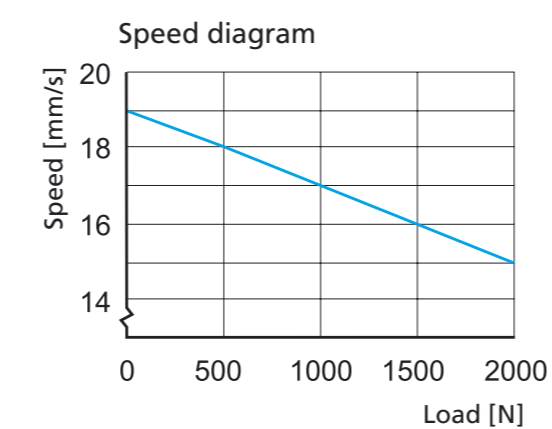
Features

- Telescopic screw drive
- Quiet operation
- Very low retracted height
- High moment load capability
- 24 Vdc supply voltage
- Self locking/static load holding
- Integrated load holding brake
- Dynamic braking
- Load up to 2000 N
- Speed up to 19 mm/s
- Modern aluminium extrusion design
- CE approval
- EMC approved according to medical standards (emission: EN 61000-6-3:2001, EN 60601-1-2:1993, EN 55011 Class B, immunity: EN61000-6-2:2001, EN 61000-4-2, EN 61000-4-3)

Options

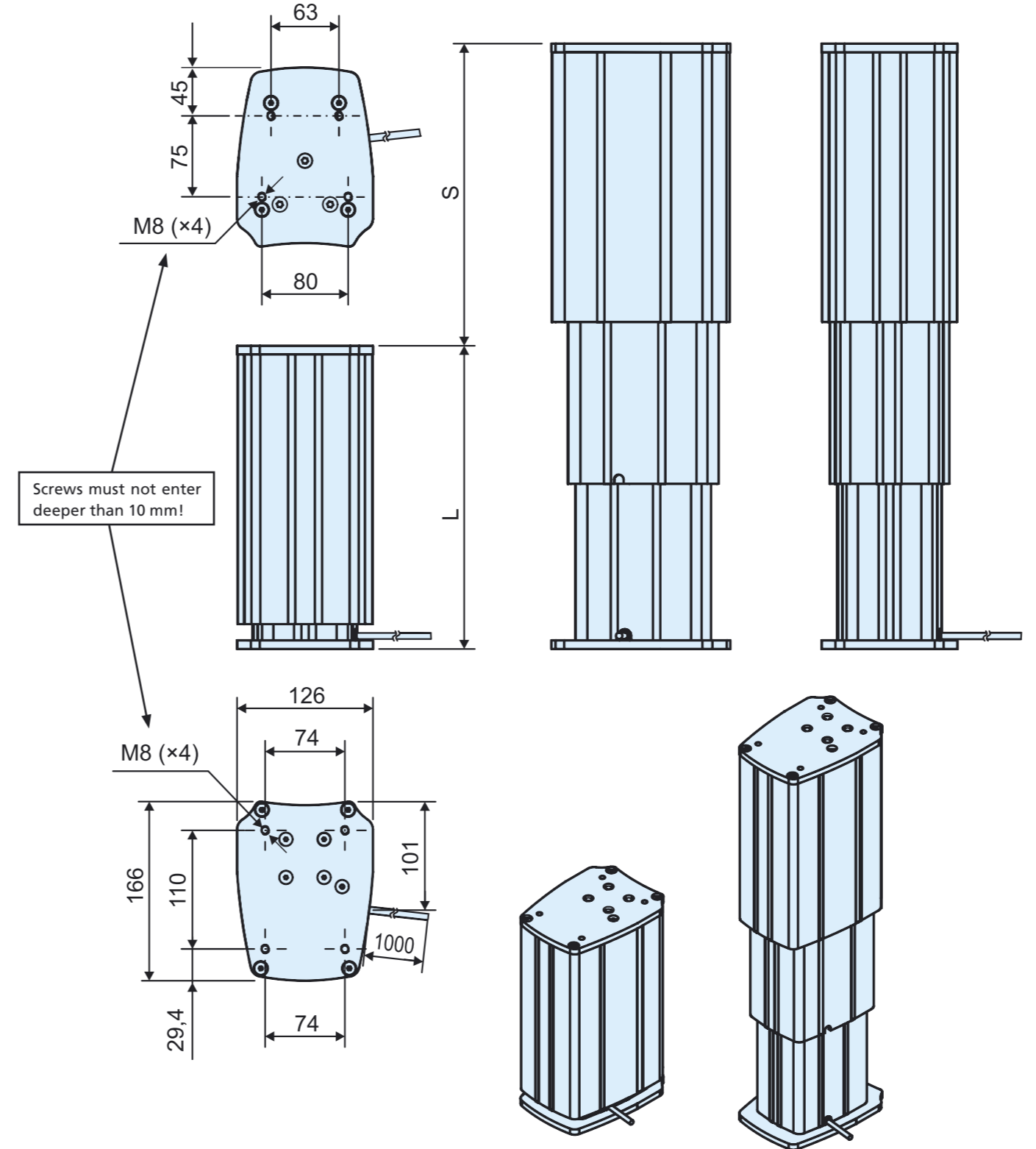
- Encoder feedback

Performance



Dimensions

Dimensions



Stroke and length

S = stroke (Smin. = 200 mm, Smax. = 400 mm)
 L = retracted length (Lmin. = 250 mm, Lmax. = 400 mm)
 Longest possible S for a given retracted length = L × 2 - 282
 Shortest possible L for a given stroke = (S + 282)/2

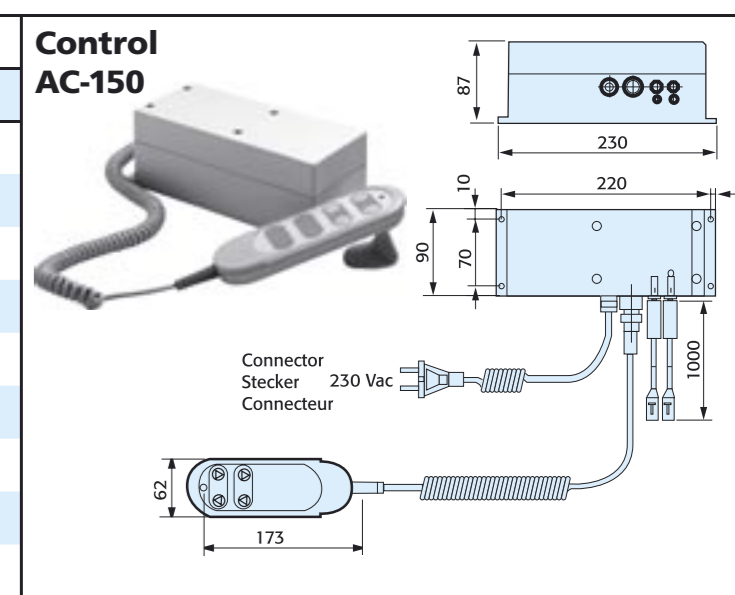
Ordering Key

Movoact TC16

Designation example	TC	16	-	24	T12	M	250	300	X
Actuator type	Telescopic column	TC							
Profile size	166 x 126 mm	16							
Hyphen			-						
Supply voltage	24 Vdc			24					
Transmission type	Trapezoidal screw / diameter 12 mm / lead 12 mm				T12				
Engineering unit	Metric					M			
Ordering stroke S [mm]	(Smin. = 200 mm, Smax. = 400 mm, Max. possible stroke = L × 2 - 282)						...		
Ordering length L [mm]	(Lmin. = 250 mm, Lmax. = 400 mm,)							...	
Option	No option								X
	Encoder								E

Accessories

Control model	AC-150	
Part number	DCF24-1F	DCF24-2F
Input voltage [Vac]	1 × 230	1 × 230
Input frequency [Hz]	50	50
Output voltage [Vdc]	24	24
Number of outputs	1	2*
Max. output current [A]	8	8
Duty cycle @ 20° C [%]	10	10
Electronic limit switches	yes	yes
Limit switch inputs	no	no
Hand control	included	included



* Both outputs share the max. output current, i.e if the max. output current is 8A then the total current can not exceed 8A if using one or two outputs.